

BX155 | CLASSIC Collection



Insert

The three speed push button control is located on the underside of the BX155 for easy access and control. The range hood cannot be seen from eye-level, allowing you to arrange your cabinets as though there were no fan, creating a fluid and classy look. The machine washable mesh filter efficiently filters the air while bright halogen light bulbs provide all the illumination you'll need. Another innovative design unique to Cyclone.



Green Features



3 Speed Push Button
Control Panel



Halogen Light Bulbs

Model	Colour	Ducting	Filters	Size	CFM	Fits Cabinet
BX15522	Stainless Steel	6"	Mesh	22"	280	24"

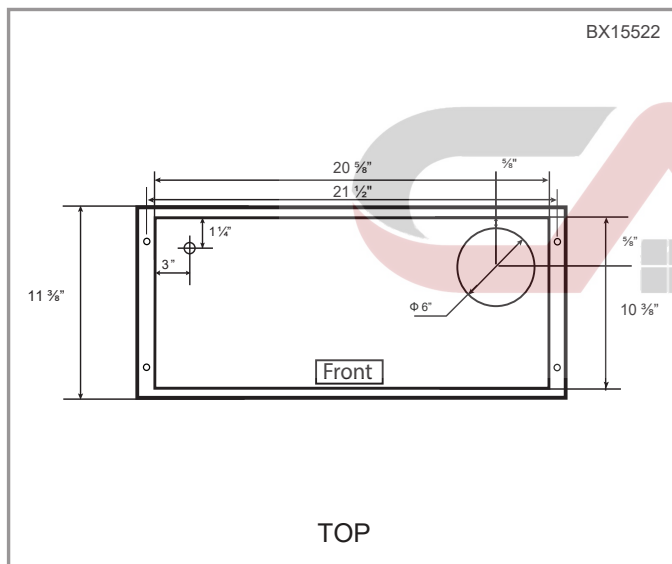
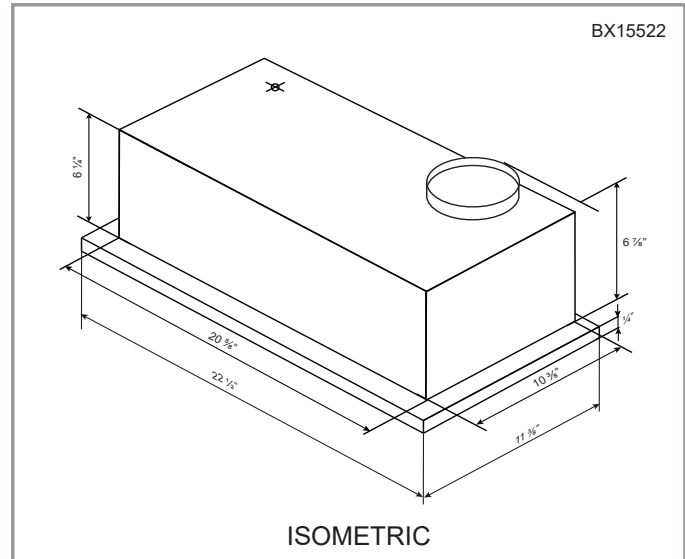
Cyclone Range Hoods Inc.

1361 Huntingwood Drive, Unit 16. Toronto, ON. M1S 3J1. Canada.

Toll Free: 1-888-293-5662 Tel: (416) 293-0933 Fax: (416) 293-4793 Website: www.CycloneRangeHoods.com

Features

- Insert range hood
- Non-stick aluminum fan blades
- 3 speed push button control
- Quick release aluminum mesh filter
- 2 halogen light bulbs (2 x 25W, E26)
- Plug-in connection



Specifications

- | | | |
|--|--|--|
| <ul style="list-style-type: none"> ▪ Air Flow Volume: 280 CFM ▪ Electrical Connection: 120 V/60 Hz ▪ Power Consumption: 240 Watts | <ul style="list-style-type: none"> ▪ Current: 2.0 Amps ▪ Fan Speed: 1450 RPM ▪ Fan Type: Centrifugal Blower | <ul style="list-style-type: none"> ▪ Finishes: Stainless Steel ▪ Ducting: 6" Round ▪ Noise Level: Min. 2 Sones
Max. 4 Sones |
|--|--|--|



BX212 | CLASSIC Collection



Insert

The three speed control is located on the underside of the BX212 for easy access and control. The range hood cannot be seen from eye-level, allowing you to arrange your cabinets as though there were no fan, creating a fluid and classy look. Mesh filters efficiently filter the air while bright halogen light bulbs provide all the illumination you'll need. Another innovative design unique to Cyclone.

Green Features



3 Speed Push Button Control Panel (22" Only)



3 Speed Slide Control Panel (28"/34" Only)



Halogen Light Bulbs



Grease Cup (28"/34" Only)



Model	Colour	Ducting	Filters	Size	CFM	Fits Cabinet
BX21222	Stainless Steel	6"	Mesh	22"	300	24"
BX21228	Stainless Steel	6"	Mesh	28"	300	30"
BX21234	Stainless Steel	6"	Mesh	34"	300	36"

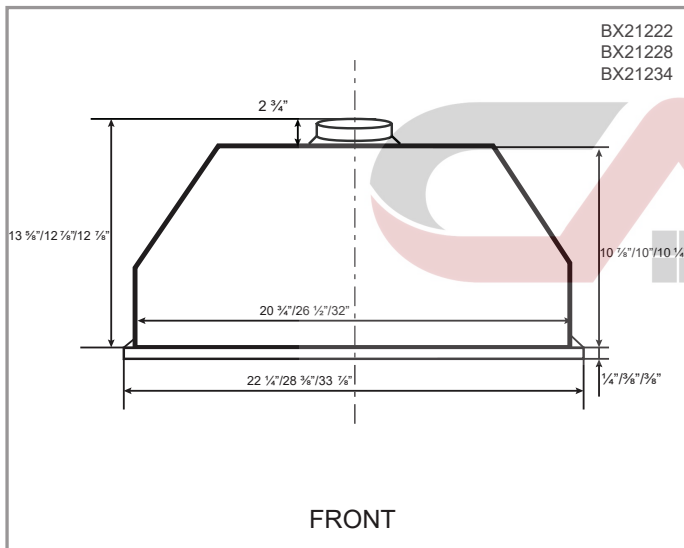
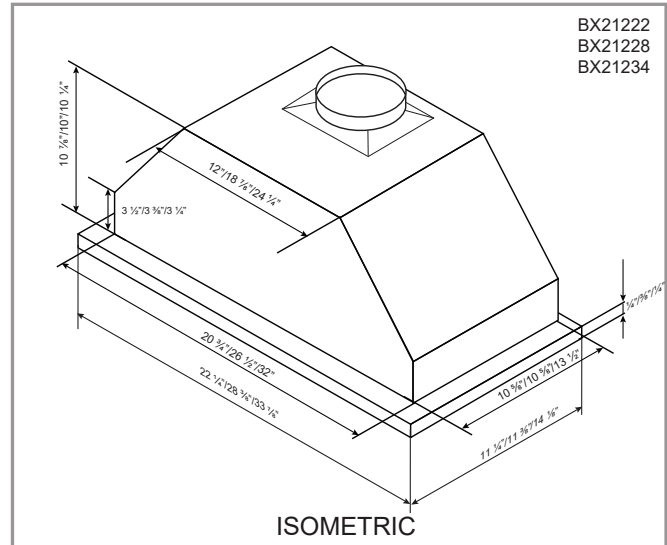
Cyclone Range Hoods Inc.

1361 Huntingwood Drive, Unit 16. Toronto, ON. M1S 3J1. Canada.

Toll Free: 1-888-293-5662 Tel: (416) 293-0933 Fax: (416) 293-4793 Website: www.CycloneRangeHoods.com

Features

- Insert range hood
- 6" round duct adapter
- Non-stick aluminum fan blades
- 3 speed push button control for 22"
- 3 speed slide control for 28" and 34"
- Quick release aluminum mesh filters
- 2 halogen light bulbs (2 x 25W E26)
- Plug-in connection



Options

- Widths: 22", 28", 34"

Specifications

- | | | |
|--|--|--|
| <ul style="list-style-type: none"> • Air Flow Volume: 300 CFM • Electrical Connection: 120 V/60 Hz • Power Consumption: 300 Watts | <ul style="list-style-type: none"> • Current: 2.5 Amps • Fan Speed: 1350 RPM • Fan Type: Centrifugal Blower | <ul style="list-style-type: none"> • Finishes: Stainless Steel • Ducting: 6" Round • Noise Level: Min. 2 Sones
Max. 4 Sones |
|--|--|--|

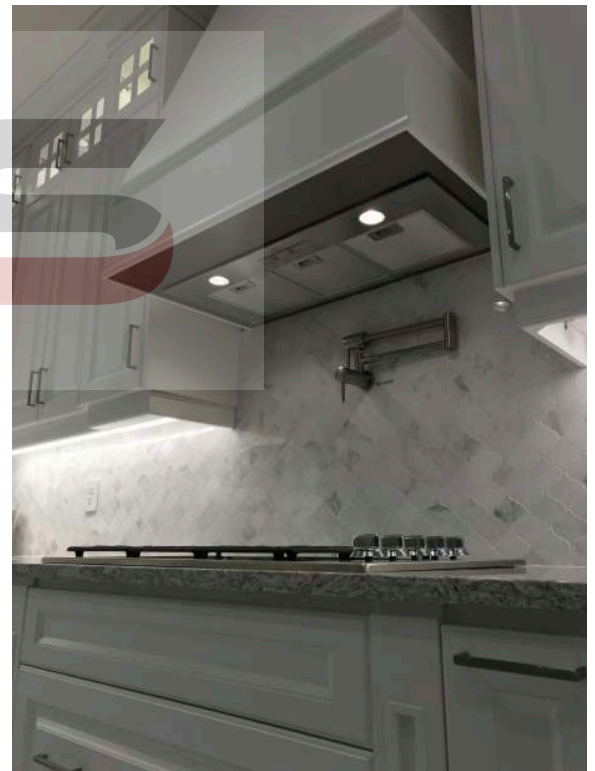


BX215 | CLASSIC Collection

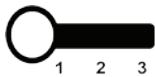


Insert

The three speed control is located on the underside of the BX215 for easy access and control. The range hood cannot be seen from eye-level, allowing you to arrange your cabinets as though there were no fan, creating a fluid and classic look. Mesh filters efficiently filter the air while bright halogen light bulbs provide all the illumination you'll need. Another innovative design unique to Cyclone.



Green Features



3 Speed Slide Control Panel



Grease Cup



Halogen Light Bulbs

Model	Colour	Ducting	Filters	Size	CFM	Fits Cabinet
BX21528	Stainless Steel	6"	Mesh	28"	550	30"
BX21534	Stainless Steel	6"	Mesh	34"	550	36"

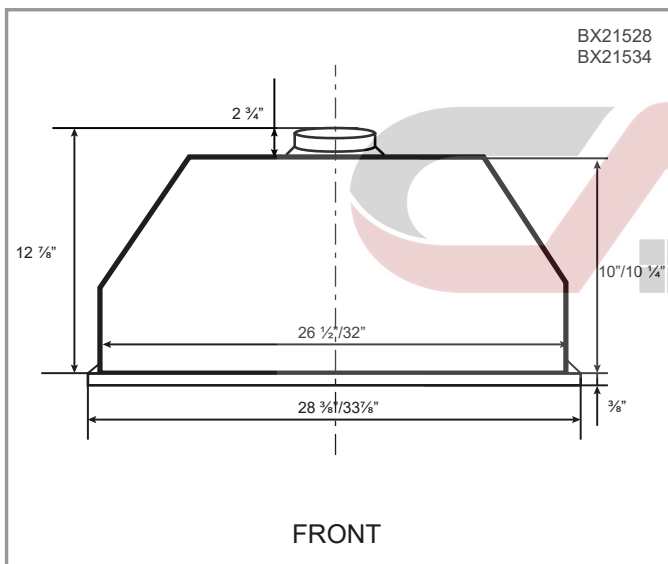
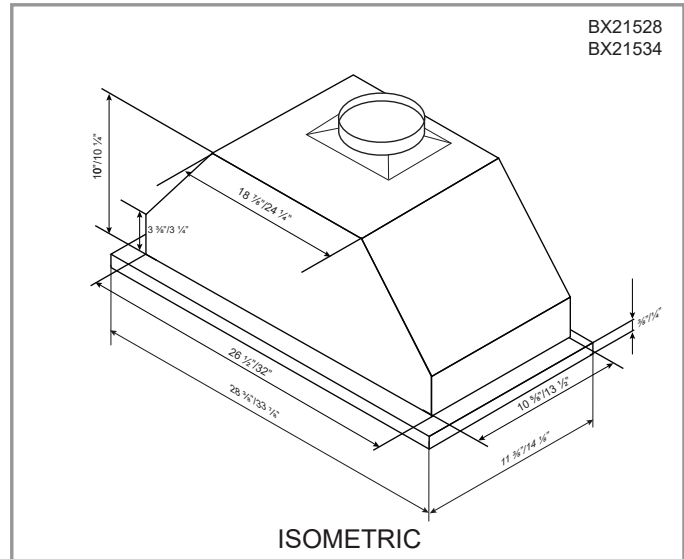
Cyclone Range Hoods Inc.

1361 Huntingwood Drive, Unit 16. Toronto, ON. M1S 3J1. Canada.

Toll Free: 1-888-293-5662 Tel: (416) 293-0933 Fax: (416) 293-4793 Website: www.CycloneRangeHoods.com

Features

- Insert range hood
- 6" round duct adapter
- Non-stick aluminum fan blades
- 3 speed slide control
- Quick release aluminum mesh filters
- 2 halogen light bulbs (2 x 25W E26)
- Plug-in connection



Options

- Widths: 28", 34"

Specifications

- | | | |
|--|--|--|
| <ul style="list-style-type: none"> ▪ Air Flow Volume: 550 CFM ▪ Electrical Connection: 120 V/60 Hz ▪ Power Consumption: 300 Watts | <ul style="list-style-type: none"> ▪ Current: 2.5 Amps ▪ Fan Speed: 1599 RPM ▪ Fan Type: Centrifugal Blower | <ul style="list-style-type: none"> ▪ Finishes: Stainless Steel ▪ Ducting: 6" Round ▪ Noise Level: Min. 2 Sones
Max. 6 Sones |
|--|--|--|



BX600 | CLASSIC Collection



Insert

Cyclone's newest insert, the BX600 is discreet and quiet yet powerful enough to leave a distinct impression. Powered at 600 CFM it is well-suited for high heat cooking. Fitted with dishwasher safe stainless steel baffle filters angled at 45 degrees to maximize ventilation. Comes equipped with three speeds push buttons and two bright LED lights for total control. The sleek BX600 range hood cannot be seen from eye level, as it is designed to fit into your custom wood canopy.

Green Features



3 Speed Push Button
Control Panel



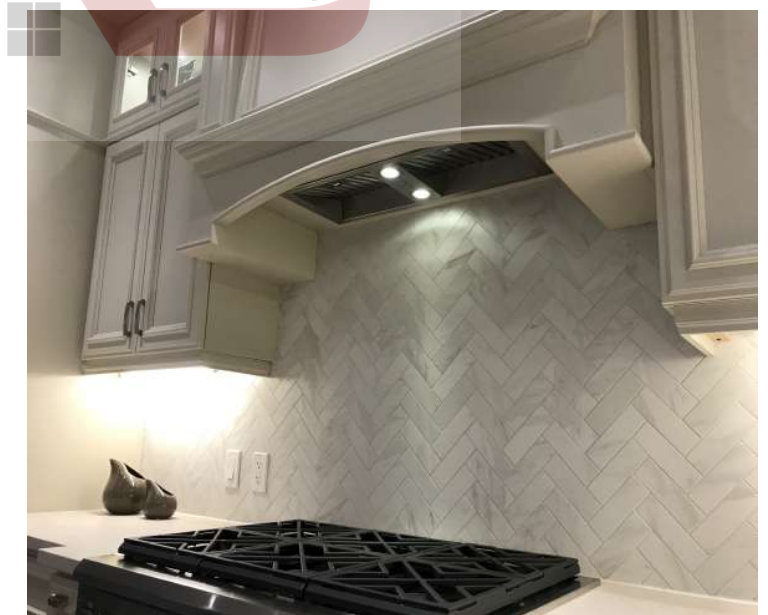
Dishwasher Safe
Baffle Filters



Long-lasting
LED Light Bulbs



Grease Cup



Model	Colour	Ducting	Filters	Size	CFM	Fits Cabinet
BX60028	Stainless Steel	6"	Baffle	28"	600	30"
BX60034	Stainless Steel	6"	Baffle	34"	600	36"

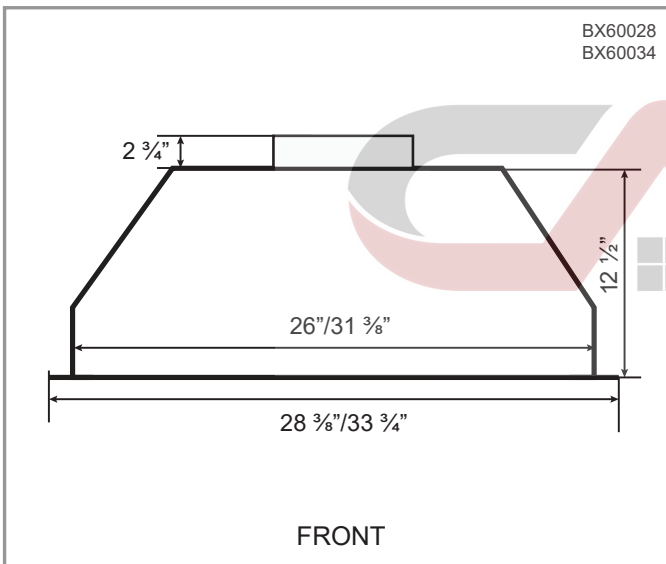
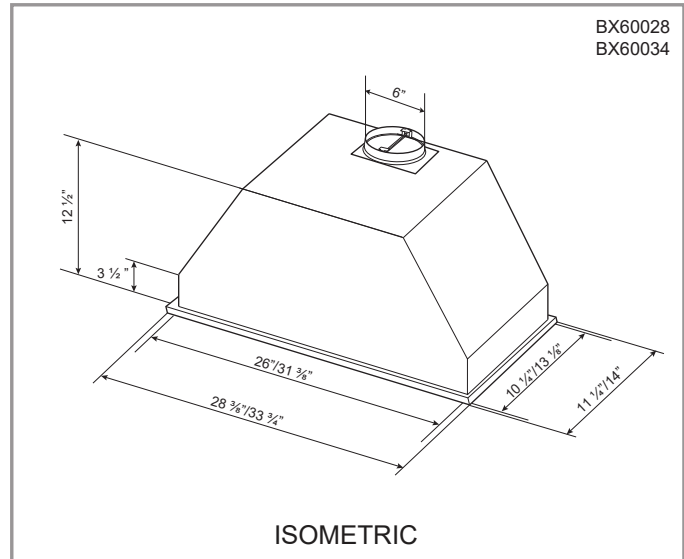
Cyclone Range Hoods Inc.

1361 Huntingwood Drive, Unit 16. Toronto, ON. M1S 3J1. Canada.

Toll Free: 1-888-293-5662 Tel: (416) 293-0933 Fax: (416) 293-4793 Website: www.CycloneRangeHoods.com

Features

- Insert range hood
- 6" round duct adapter
- Non-stick aluminum fan blades
- 3 speed push button control
- Quick release dishwasher-safe baffle filters
- 2 LED light bulbs (2 x 1.4W GU10, 3000K)
- 3 minutes time-delay OFF feature
- Plug-in connection



Options

- Widths: 28", 34"

Specifications

- | | | |
|--|--|--|
| <ul style="list-style-type: none"> ▪ Air Flow Volume: 600 CFM ▪ Electrical Connection: 120 V/60 Hz ▪ Power Consumption: 300 Watts | <ul style="list-style-type: none"> ▪ Current: 2.5 Amps ▪ Fan Speed: 1599 RPM ▪ Fan Type: Centrifugal Blower | <ul style="list-style-type: none"> ▪ Finishes: Stainless Steel ▪ Ducting: 6" Round ▪ Noise Level: Min. 2 Sones
Max. 6 Sones |
|--|--|--|



BXB606 | PRO Collection



Insert

Cyclone's newest insert, the BXB606 is discreet and quiet yet powerful enough to leave a distinct impression. Powered at 600 CFM it is well-suited for high heat cooking. Fitted with dishwasher safe stainless steel baffle filters. Comes equipped with three speeds push buttons and two bright LED lights for total control. The sleek BXB606 range hood cannot be seen from eye level, as it is designed to fit into your custom wood canopy.

Green Features



3 Speed Push Button
Control Panel



Dishwasher Safe
Baffle Filters



Long-lasting
LED Light Bulbs



Model	Colour	Ducting	Filters	Size	CFM	Fits Cabinet
BXB60628	Stainless Steel	6"	Baffle	28"	600	30"
BXB60634	Stainless Steel	6"	Baffle	34"	600	36"
BXB60640	Stainless Steel	6"	Baffle	40"	600	42"
BXB60646	Stainless Steel	6"	Baffle	46"	600	48"

Cyclone Range Hoods Inc.

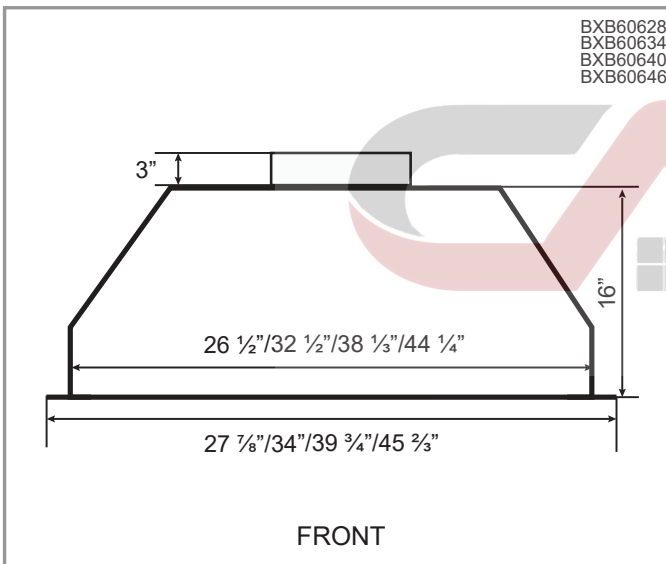
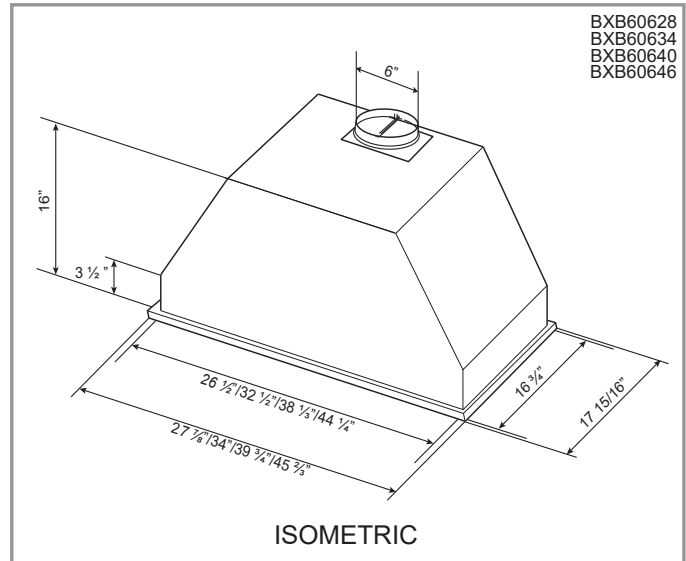
1361 Huntingwood Drive, Unit 16. Toronto, ON. M1S 3J1. Canada.

Toll Free: 1-888-293-5662 Tel: (416) 293-0933

Fax: (416) 293-4793 Website: www.CycloneRangeHoods.com

Features

- Insert range hood
- 6" round duct adapter
- Non-stick aluminum fan blades
- 3 speed push button control
- Quick release dishwasher-safe baffle filters
- 2 LED lights (2 x 1.4W, 4000K)
40" and 46" come with three LED lights
- 3 minutes time-delay OFF feature
- Plug-in connection



Options

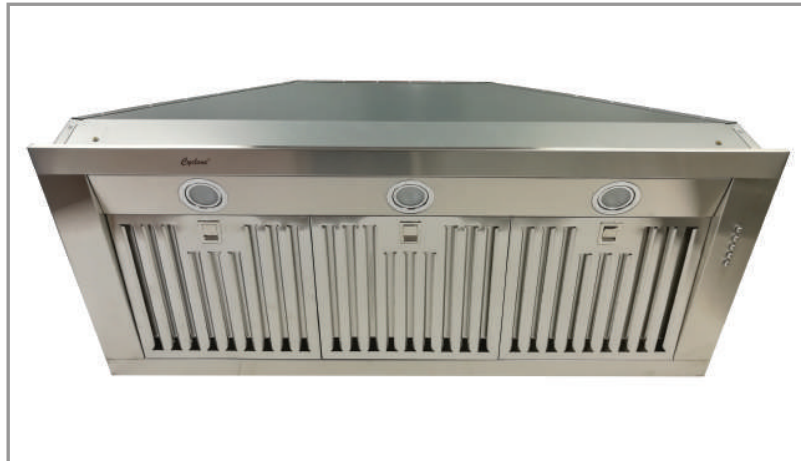
- Widths: 28", 34", 40", 46"

Specifications

- | | | |
|--|--|--|
| <ul style="list-style-type: none"> • Air Flow Volume: 600 CFM • Electrical Connection: 120 V/60 Hz • Power Consumption: 300 Watts | <ul style="list-style-type: none"> • Current: 2.5 Amps • Fan Speed: 1599 RPM • Fan Type: Centrifugal Blower | <ul style="list-style-type: none"> • Finishes: Stainless Steel • Ducting: 6" Round • Noise Level: Min. 2 Sones
Max. 6 Sones |
|--|--|--|



BXB609 | PRO Collection



Insert

Cyclone's newest insert, the BXB609 is discreet and quiet yet powerful enough to leave a distinct impression. Powered at 900 CFM it is well-suited for high heat cooking. Fitted with dishwasher safe stainless steel baffle filters. Comes equipped with three speeds push buttons and two bright LED lights for total control. The sleek BXB609 range hood cannot be seen from eye level, as it is designed to fit into your custom wood canopy.

Green Features



3 Speed Push Button
Control Panel



Dishwasher Safe
Baffle Filters



Long-lasting
LED Light Bulbs



Model	Colour	Ducting	Filters	Size	CFM	Fits Cabinet
BXB60934	Stainless Steel	8"	Baffle	34"	900	36"
BXB60940	Stainless Steel	8"	Baffle	40"	900	42"
BXB60946	Stainless Steel	8"	Baffle	46"	900	48"
BXB60934MB	Matte Black	8"	Baffle	34"	900	36"
BXB60940MB	Matte Black	8"	Baffle	40"	900	42"
BXB60946MB	Matte Black	8"	Baffle	46"	900	48"

Cyclone Range Hoods Inc.

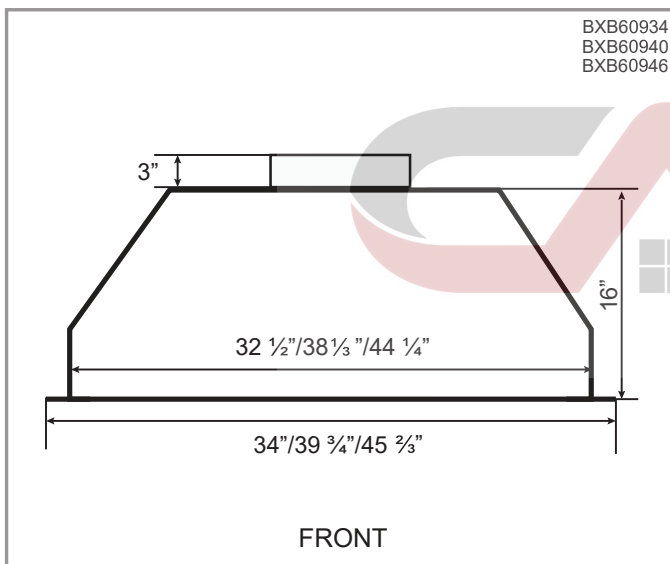
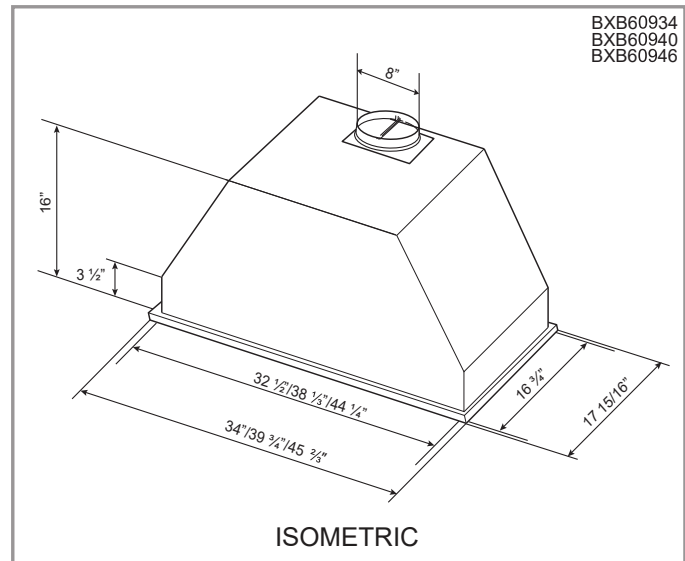
1361 Huntingwood Drive, Unit 16. Toronto, ON. M1S 3J1. Canada.

Toll Free: 1-888-293-5662 Tel: (416) 293-0933

Fax: (416) 293-4793 Website: www.CycloneRangeHoods.com

Features

- Insert range hood
- 8" round duct adapter
- Non-stick aluminum fan blades
- 3 speed push button control
- Quick release dishwasher-safe baffle filters
- 3 LED lights (3 x 1.4W, 4000K)
- 3 minutes time-delay OFF feature
- Plug-in connection



Options

- Widths: 34", 40", 46"
- Finishes: Stainless Steel, Matte Black

Specifications

- | | | |
|--|--|---|
| <ul style="list-style-type: none"> • Air Flow Volume: 900 CFM • Electrical Connection: 120 V/60 Hz • Power Consumption: TBD | <ul style="list-style-type: none"> • Current: TBD • Fan Speed: TBD • Fan Type: Centrifugal Blower | <ul style="list-style-type: none"> • Finishes: Stainless Steel, Matte Black • Ducting: 8" Round • Noise Level: Min. TBD
Max. TBD |
|--|--|---|



BXB612 | PRO Collection



Insert

Cyclone's newest insert, the BXB612 is discreet and quiet yet powerful enough to leave a distinct impression. Powered at 1200 CFM it is well-suited for high heat cooking. Fitted with dishwasher safe stainless steel baffle filters. Comes equipped with three speeds push buttons and two bright LED lights for total control. The sleek BXB612 range hood cannot be seen from eye level, as it is designed to fit into your custom wood canopy.

Green Features



3 Speed Push Button
Control Panel



Dishwasher Safe
Baffle Filters



Long-lasting
LED Light Bulbs



Model	Colour	Ducting	Filters	Size	CFM	Fits Cabinet
BXB61234	Stainless Steel	8"	Baf fle	34"	1200	36"
BXB61240	Stainless Steel	8"	Baf fle	40"	1200	42"
BXB61246	Stainless Steel	8"	Baf fle	46"	1200	48"

Cyclone Range Hoods Inc.

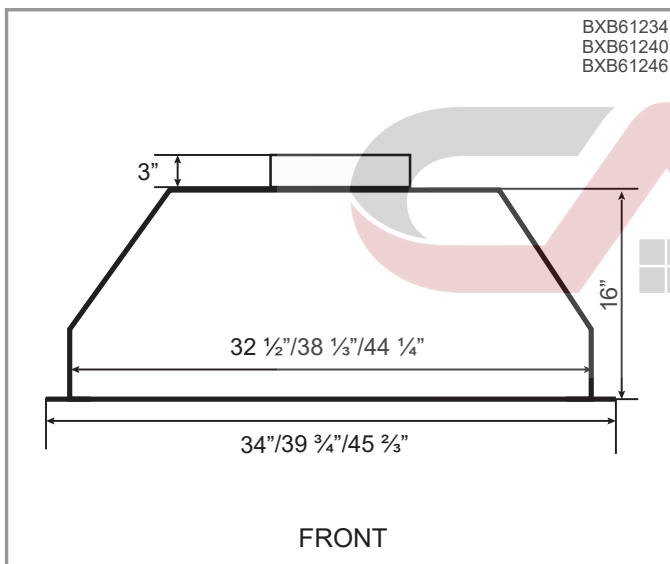
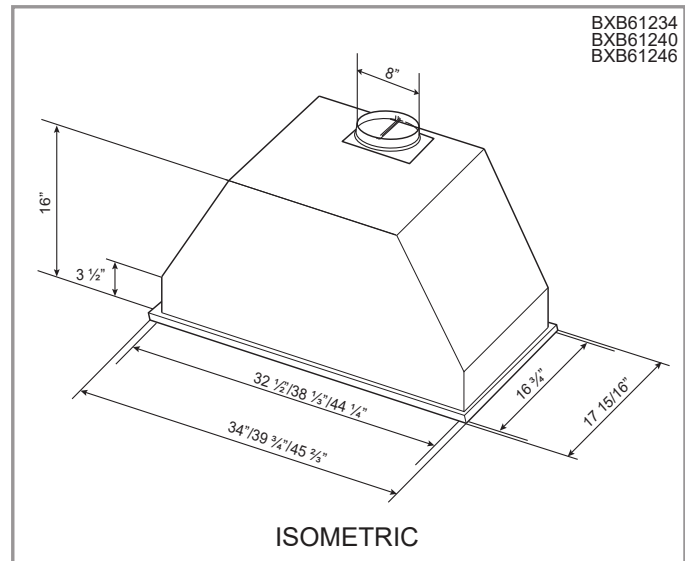
1361 Huntingwood Drive, Unit 16. Toronto, ON. M1S 3J1. Canada.

Toll Free: 1-888-293-5662 Tel: (416) 293-0933

Fax: (416) 293-4793 Website: www.CycloneRangeHoods.com

Features

- Insert range hood
- 8" round duct adapter
- Non-stick aluminum fan blades
- 3 speed push button control
- Quick release dishwasher-safe baffle filters
- 3 LED lights (3 x 1.4W, 4000K)
- 3 minutes time-delay OFF feature
- Plug-in connection



Options

- Widths: 34", 40", 46"

Specifications

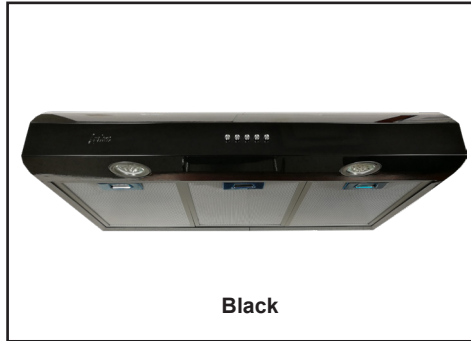
- Air Flow Volume: 1200 CFM
- Electrical Connection: 120 V/60 Hz
- Power Consumption: TBD

- Current: TBD
- Fan Speed: TBD
- Fan Type: Centrifugal Blower

- Finishes: Stainless Steel
- Ducting: 8" Round
- Noise Level: Min. TBD
Max. TBD



CY917R | CLASSIC COLLECTION



Undermount

Cyclone is proud to introduce the sleek and tasteful CY917R. Enjoy a modern style fan without the fuss of a renovation. Features a single, centered fan that boasts 300 CFM of power. Elegant mesh filters are a breeze to remove and replace. A powerful machine in a small frame, well-suited to any size living space.



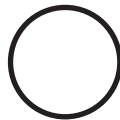
Green Features:



3 Speed Push Button Control Panel



Long-Lasting LED Lights



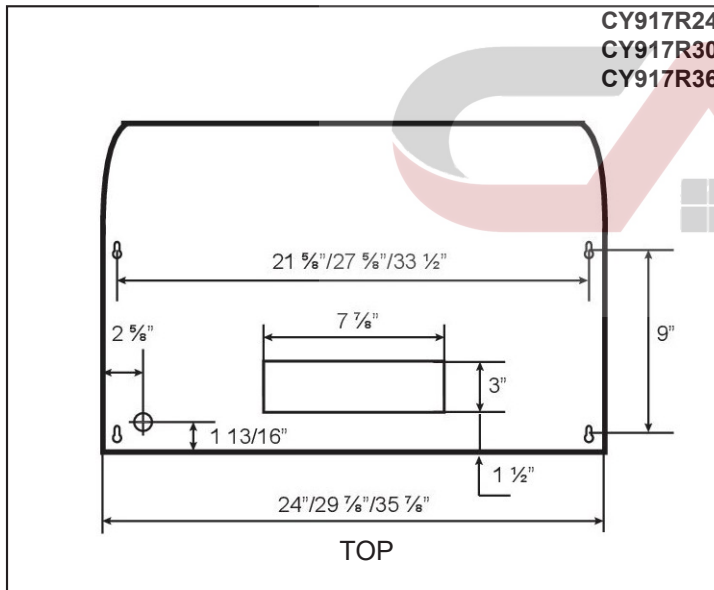
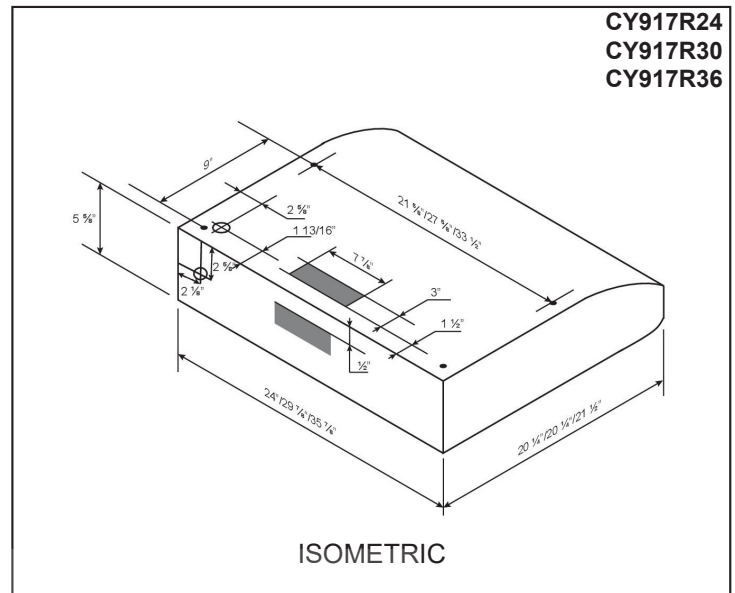
Grease Ring

Model	Finish	Ducting	Filters	Size	CFM
CY917R24W	White	6" round	Mesh	24"	300
CY917R24B	Black	6" round	Mesh	24"	300
CY917R24SS	Stainless Steel	6" round	Mesh	24"	300
CY917R30W	White	6" round	Mesh	30"	300
CY917R30B	Black	6" round	Mesh	30"	300
CY917R30SS	Stainless Steel	6" round	Mesh	30"	300
CY917R36SS	Stainless Steel	6" round	Mesh	36"	300

Cyclone Range Hoods Inc.

Features

- Undermount range hood
- 3 ¼" x 10" rectangular damper
- Non-stick aluminum fan blade
- 3 speed push button control panel
- 2 LED light bulbs (2 x 1.5W GU10, 3000K)
- Quick release aluminum mesh filters
- Hard-wire connection



Options

- Width: 24", 30", 36"
- Finishes: White, Black, Stainless Steel

Note

- 24" comes with two filters
- 36" only come with stainless steel finish

Specifications

- | | | |
|--------------------------------------|--------------------------|-----------------------------|
| • Air Flow Volume: 300 CFM | • Current: 2.0 Amps | • Ducting: 6" round |
| • Electrical Connection: 120 V/60 Hz | • Fan Speed: 1350 RPM | • Noise Level: Min. 2 Sones |
| • Power Consumption: 240 Watts | • Fan Type: Axial Blower | Max. 4 Sones |





Undermount

Cyclone is proud to introduce the sleek and tasteful CY919R. Enjoy a modern style fan without the fuss of a renovation. Features two fans that boasts 570 CFM of power, elegant mesh filters are a breeze to remove and replace. A powerful machine in a small frame, well-suited to any size living space.



Green Features



3 Speed Push Button
Control Panel



Long-lasting
LED Light bulbs



Grease
Ring

Model	Colour	Ducting	Filters	Size	CFM
CY919R36SS	Stainless Steel	6"	Mesh	36"	570

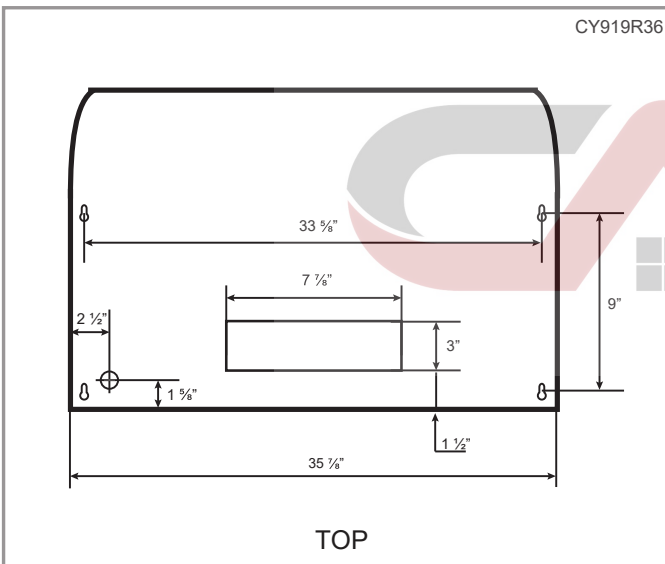
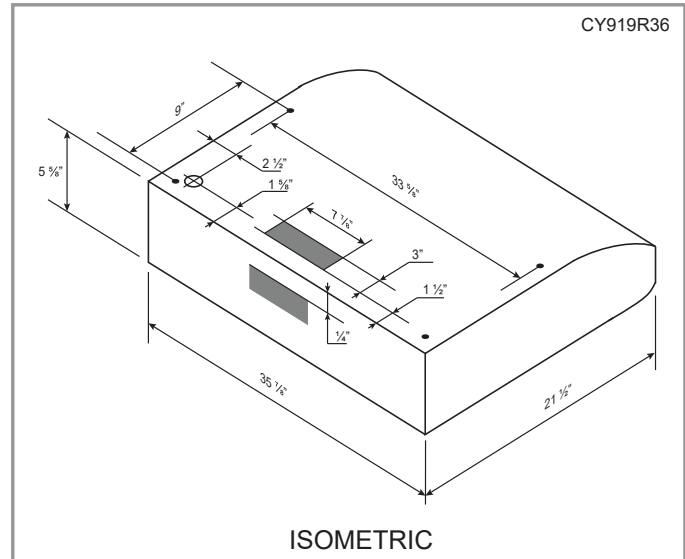
Cyclone Range Hoods Inc.

1361 Huntingwood Drive, Unit 16. Toronto, ON. M1S 3J1. Canada.

Toll Free: 1-888-293-5662 Tel: (416) 293-0933 Fax: (416) 293-4793 Website: www.CycloneRangeHoods.com

Features

- Undermount range hood
- 3 ¼" x 10" rectangular damper
- Non-stick aluminum fan blades
- 3 speed push button control
- 2 LED light bulbs (2 x 1.5W GU10, 3000K)
- Aluminum mesh filters
- Hard-wire connection



Options

- Widths: 36"
- Finishes: Stainless Steel

Specifications

- | | | |
|---|---|---|
| <ul style="list-style-type: none"> ▪ Air Flow Volume: 570 CFM ▪ Electrical Connection: 120 V/60 Hz ▪ Power Consumption: 288 Watts ▪ Current: 2.4 Amps | <ul style="list-style-type: none"> ▪ Finishes: Stainless Steel ▪ Ducting: 6" Round ▪ Fan Speed: 1600 RPM ▪ Fan Type: Axial Blower | <ul style="list-style-type: none"> ▪ Noise Level: Min. 2 Sones
Max. 6 Sones ▪ Knock-out: 3 ¼" x 10"
Rectangular
(Top or Rear) |
|---|---|---|



CYB919R | CLASSIC Collection



Undermount

Cyclone is proud to introduce the sleek and tasteful CYB919R. Enjoy a modern style fan without the fuss of a renovation. Features two fans that boasts 570 CFM of power, quick release dishwasher-safe stainless steel baffle filters. A powerful machine in a small frame, well-suited to any size living space.



Green Features



3 Speed Push Button
Control Panel



Long-lasting
LED Light bulbs



Grease
Ring

Model	Colour	Ducting	Filters	Size	CFM
CYB919R30W	White	6"	Baffle	30"	570
CYB919R30B	Black	6"	Baffle	30"	570
CYB919R30MB	Matte Black	6"	Baffle	30"	570
CYB919R30SS	Stainless Steel	6"	Baffle	30"	570
CYB919R36W	White	6"	Baffle	36"	570
CYB919R36B	Black	6"	Baffle	36"	570
CYB919R36MB	Matte Black	6"	Baffle	36"	570
CYB919R36SS	Stainless Steel	6"	Baffle	36"	570

Cyclone Range Hoods Inc.

1361 Huntingwood Drive, Unit 16. Toronto, ON. M1S 3J1. Canada.

Toll Free: 1-888-293-5662 Tel: (416) 293-0933

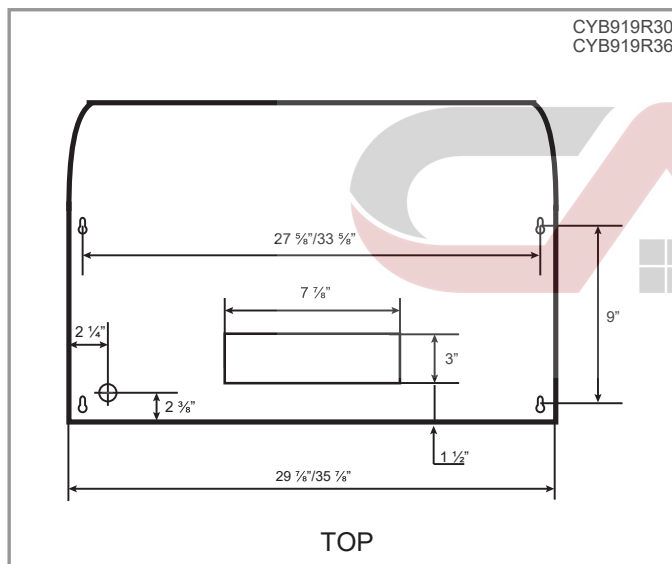
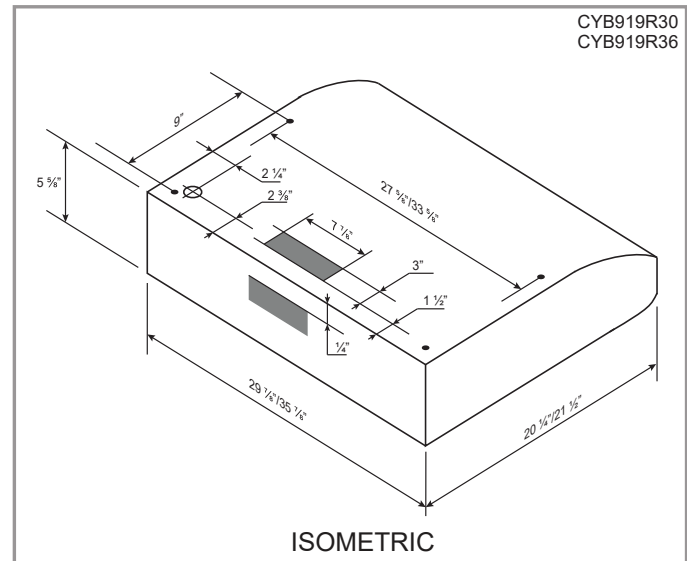
Fax: (416) 293-4793 Website: www.CycloneRangeHoods.com

CYB919R | CLASSIC Collection

Cyclone[®]
Breathe Better

Features

- Undermount range hood
- 3 ¼" x 10" rectangular damper
- Non-stick aluminum fan blades
- 3 speed push button control
- 2 LED light bulbs (2 x 1.5W GU10, 3000K)
- Quick release stainless steel baffle filters
- Hard-wire connection



Options

- Widths: 30", 36"
- Finishes: White, Black, Matte Black, Stainless Steel

Specifications

- Air Flow Volume: 570 CFM
- Electrical Connection: 120 V/60 Hz
- Power Consumption: 288 Watts
- Current: 2.4 Amps
- Fan Speed: 1600 RPM
- Fan Type: Axial Blower
- Finishes: White, Black, Matte Black, Stainless Steel
- Ducting: 6" Round
- Noise Level: Min. 2 Sones
Max. 6 Sones
- Knock-out: 3 ¼" x 10" Rectangular (Top or Rear)



DCB40MBB | DESIGNER Collection



Wall Mount

Each individual piece is a uniquely crafted piece of highly functional art. Our brand new line of luxury decorative hoods are a blend of old world craftsmanship with modern professional performance. Absolutely stunning decorative hoods, each uniquely hand-crafted and formed with incredible metal work and fully customizable options, including design and materials. Our current offerings allow semi-custom finishes so you can choose your desired width, power and finishing materials from matte black, satin stainless steel and designer white. The strappings are available in chrome or brass with rivets to match. The custom finishes will tie all your accent pieces together completing an elegant luxury kitchen appliance.

Green Features



3 Speed
Push Button
Control Panel



Dishwasher Safe
Baffle Filters



Time-Delay
OFF Feature



Long-Lasting
LED Lights



Model	Colour	Ducting	Filters	Size	CFM
DCB40636MBB	Matte Black/Brass	6"	Baffle	36"	600
DCB40642MBB	Matte Black/Brass	6"	Baffle	42"	600
DCB40648MBB	Matte Black/Brass	6"	Baffle	48"	600
DCB40936MBB	Matte Black/Brass	8"	Baffle	36"	900
DCB40942MBB	Matte Black/Brass	8"	Baffle	42"	900
DCB40948MBB	Matte Black/Brass	8"	Baffle	48"	900
DCB401236MBB	Matte Black/Brass	8"	Baffle	36"	1200
DCB401242MBB	Matte Black/Brass	8"	Baffle	42"	1200
DCB401248MBB	Matte Black/Brass	8"	Baffle	48"	1200

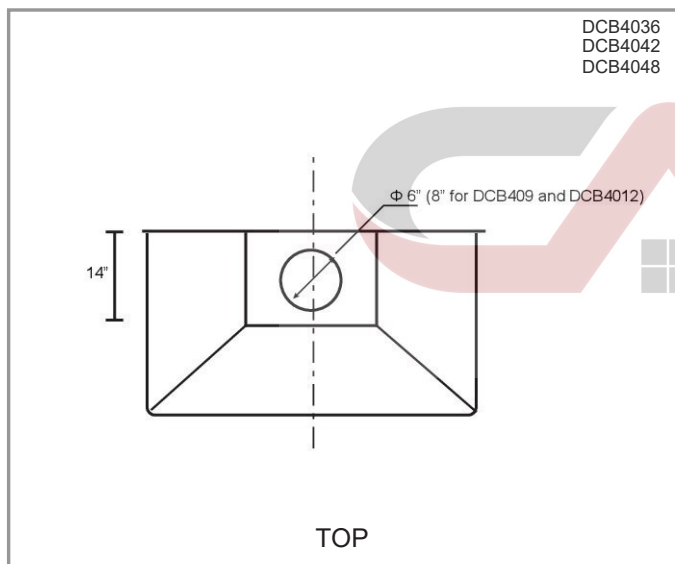
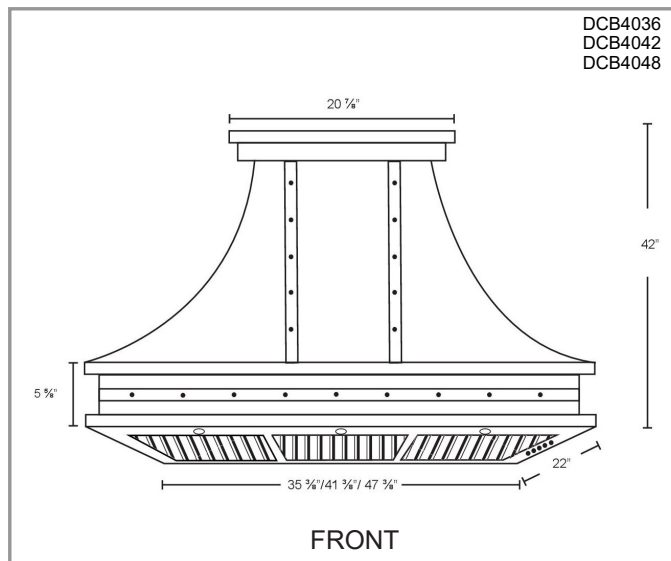
Cyclone Range Hoods Inc.

1361 Huntingwood Drive, Unit 16. Toronto, ON. M1S 3J1. Canada.

Toll Free: 1-888-293-5662 Tel: (416) 293-0933 Fax: (416) 293-4793 Website: www.CycloneRangeHoods.com

Features

- Wall mount range hood
- 8" round duct adapter (6" for 600 CFM)
- Non-stick aluminum fan blades
- 3 speed push button control
- 3 LED lights (3 x 1.4W, 4000K)
- Dishwasher-safe baffle filters
- 3 minutes time-delay OFF feature
- Fit for 9 ft ceiling only
- Plug-in connection



Options

- Widths: 36", 42", 48"
- Finishes: Matte Black/Brass

Specifications

- | | | |
|---|--|---|
| <ul style="list-style-type: none"> • Air Flow Volume: 600/900/1200 CFM • Electrical Connection: 120 V/60 Hz • Power Consumption: 300 Watts | <ul style="list-style-type: none"> • Current: 2.5 Amps • Fan Speed: 1599 RPM • Fan Type: Centrifugal Blower | <ul style="list-style-type: none"> • Finishes: Matte Black/Brass • Ducting: 8" Round (6" for 600 CFM) • Noise Level: Min. 2 Sones
Max. TBD |
|---|--|---|



DCB40MBC | DESIGNER Collection



Wall Mount

Each individual piece is a uniquely crafted piece of highly functional art. Our brand new line of luxury decorative hoods are a blend of old world craftsmanship with modern professional performance. Absolutely stunning decorative hoods, each uniquely hand-crafted and formed with incredible metal work and fully customizable options, including design and materials. Our current offerings allow semi-custom finishes so you can choose your desired width, power and finishing materials from matte black, satin stainless steel and designer white. The strappings are available in chrome or brass with rivets to match. The custom finishes will tie all your accent pieces together completing an elegant luxury kitchen appliance.

Green Features



3 Speed
Push Button
Control Panel



Dishwasher Safe
Baffle Filters



Time-Delay
OFF Feature



Long-Lasting
LED Lights



Model	Colour	Ducting	Filters	Size	CFM
DCB40636MBC	Matte Black/Chrome	6"	Baffle	36"	600
DCB40642MBC	Matte Black/Chrome	6"	Baffle	42"	600
DCB40648MBC	Matte Black/Chrome	6"	Baffle	48"	600
DCB40936MBC	Matte Black/Chrome	8"	Baffle	36"	900
DCB40942MBC	Matte Black/Chrome	8"	Baffle	42"	900
DCB40948MBC	Matte Black/Chrome	8"	Baffle	48"	900
DCB401236MBC	Matte Black/Chrome	8"	Baffle	36"	1200
DCB401242MBC	Matte Black/Chrome	8"	Baffle	42"	1200
DCB401248MBC	Matte Black/Chrome	8"	Baffle	48"	1200

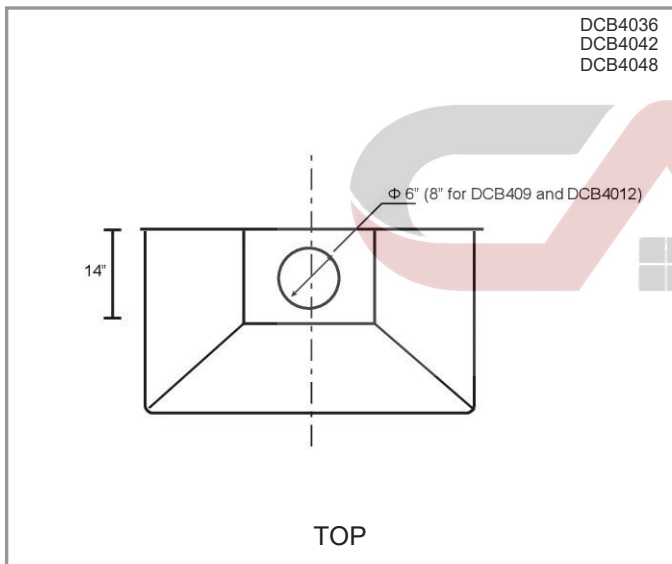
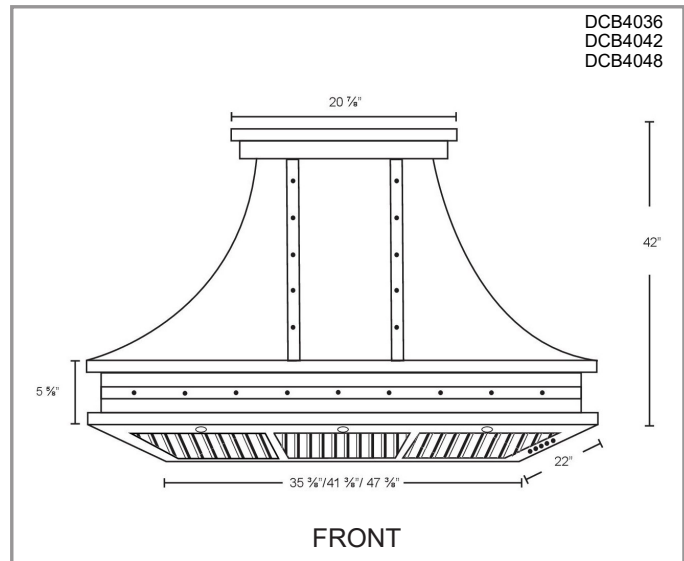
Cyclone Range Hoods Inc.

1361 Huntingwood Drive, Unit 16. Toronto, ON. M1S 3J1. Canada.

Toll Free: 1-888-293-5662 Tel: (416) 293-0933 Fax: (416) 293-4793 Website: www.CycloneRangeHoods.com

Features

- Wall mount range hood
- 8" round duct adapter (6" for 600 CFM)
- Non-stick aluminum fan blades
- 3 speed push button control
- 3 LED lights (3 x 1.4W, 4000K)
- Dishwasher-safe baffle filters
- 3 minutes time-delay OFF feature
- Fit for 9 ft ceiling only
- Plug-in connection



Options

- Widths: 36", 42", 48"
- Finishes: Matte Black/Chrome

Specifications

- | | | |
|--------------------------------------|--------------------------------|---|
| • Air Flow Volume: 600/900/1200 CFM | • Current: 2.5 Amps | • Finishes: Matte Black/Chrome |
| • Electrical Connection: 120 V/60 Hz | • Fan Speed: 1599 RPM | • Ducting: 8" Round (6" for 600 CFM) |
| • Power Consumption: 300 Watts | • Fan Type: Centrifugal Blower | • Noise Level: Min. 2 Sones
Max. TBD |



DCB40SSB | DESIGNER Collection



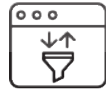
Wall Mount

Each individual piece is a uniquely crafted piece of highly functional art. Our brand new line of luxury decorative hoods are a blend of old world craftsmanship with modern professional performance. Absolutely stunning decorative hoods, each uniquely hand-crafted and formed with incredible metal work and fully customizable options, including design and materials. Our current offerings allow semi-custom finishes so you can choose your desired width, power and finishing materials from matte black, satin stainless steel and designer white. The strappings are available in chrome or brass with rivets to match. The custom finishes will tie all your accent pieces together completing an elegant luxury kitchen appliance.

Green Features



3 Speed
Push Button
Control Panel



Dishwasher Safe
Baffle Filters



Time-Delay
OFF Feature



Long-Lasting
LED Lights



Model	Colour	Ducting	Filters	Size	CFM
DCB40636SSB	Stainless Steel/Brass	6"	Baffle	36"	600
DCB40642SSB	Stainless Steel/Brass	6"	Baffle	42"	600
DCB40648SSB	Stainless Steel/Brass	6"	Baffle	48"	600
DCB40936SSB	Stainless Steel/Brass	8"	Baffle	36"	900
DCB40942SSB	Stainless Steel/Brass	8"	Baffle	42"	900
DCB40948SSB	Stainless Steel/Brass	8"	Baffle	48"	900
DCB401236SSB	Stainless Steel/Brass	8"	Baffle	36"	1200
DCB401242SSB	Stainless Steel/Brass	8"	Baffle	42"	1200
DCB401248SSB	Stainless Steel/Brass	8"	Baffle	48"	1200

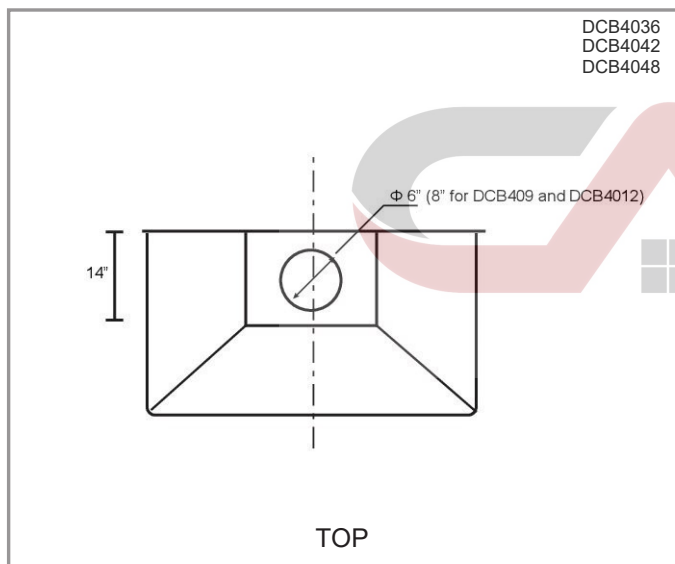
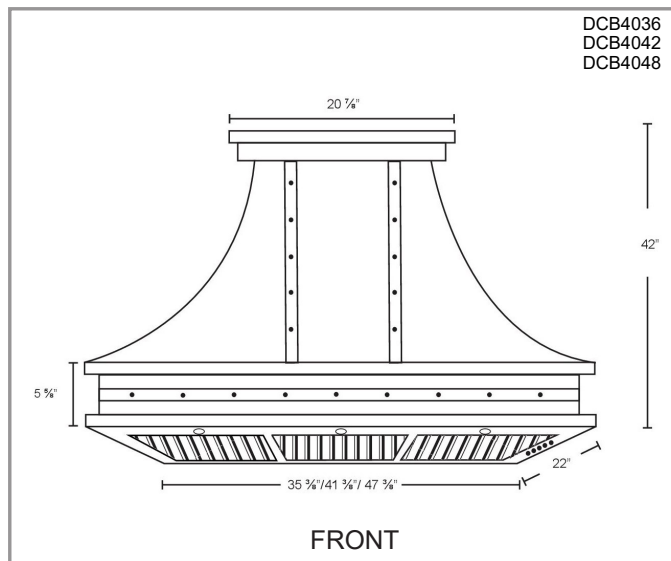
Cyclone Range Hoods Inc.

1361 Huntingwood Drive, Unit 16. Toronto, ON. M1S 3J1. Canada.

Toll Free: 1-888-293-5662 Tel: (416) 293-0933 Fax: (416) 293-4793 Website: www.CycloneRangeHoods.com

Features

- Wall mount range hood
- 8" round duct adapter (6" for 600 CFM)
- Non-stick aluminum fan blades
- 3 speed push button control
- 3 LED lights (3 x 1.4W, 4000K)
- Dishwasher-safe baffle filters
- 3 minutes time-delay OFF feature
- Fit for 9 ft ceiling only
- Plug-in connection



Options

- Widths: 36", 42", 48"
- Finishes: Stainless Steel/ Brass

Specifications

- | | | |
|---|--|---|
| <ul style="list-style-type: none"> • Air Flow Volume: 600/900/1200 CFM • Electrical Connection: 120 V/60 Hz • Power Consumption: 300 Watts | <ul style="list-style-type: none"> • Current: 2.5 Amps • Fan Speed: 1599 RPM • Fan Type: Centrifugal Blower | <ul style="list-style-type: none"> • Finishes: Stainless Steel/Brass • Ducting: 8" Round (6" for 600 CFM) • Noise Level: Min. 2 Sones
Max. TBD |
|---|--|---|



DCB40SSC | DESIGNER Collection



Wall Mount

Each individual piece is a uniquely crafted piece of highly functional art. Our brand new line of luxury decorative hoods are a blend of old world craftsmanship with modern professional performance. Absolutely stunning decorative hoods, each uniquely hand-crafted and formed with incredible metal work and fully customizable options, including design and materials. Our current offerings allow semi-custom finishes so you can choose your desired width, power and finishing materials from matte black, satin stainless steel and designer white. The strappings are available in chrome or brass with rivets to match. The custom finishes will tie all your accent pieces together completing an elegant luxury kitchen appliance.

Green Features



3 Speed
Push Button
Control Panel



Dishwasher Safe
Baffle Filters



Time-Delay
OFF Feature



Long-Lasting
LED Lights



Model	Colour	Ducting	Filters	Size	CFM
DCB40636SSC	Stainless Steel/Chrome	6"	Baffle	36"	600
DCB40642SSC	Stainless Steel/Chrome	6"	Baffle	42"	600
DCB40648SSC	Stainless Steel/Chrome	6"	Baffle	48"	600
DCB40936SSC	Stainless Steel/Chrome	8"	Baffle	36"	900
DCB40942SSC	Stainless Steel/Chrome	8"	Baffle	42"	900
DCB40948SSC	Stainless Steel/Chrome	8"	Baffle	48"	900
DCB401236SSC	Stainless Steel/Chrome	8"	Baffle	36"	1200
DCB401242SSC	Stainless Steel/Chrome	8"	Baffle	42"	1200
DCB401248SSC	Stainless Steel/Chrome	8"	Baffle	48"	1200

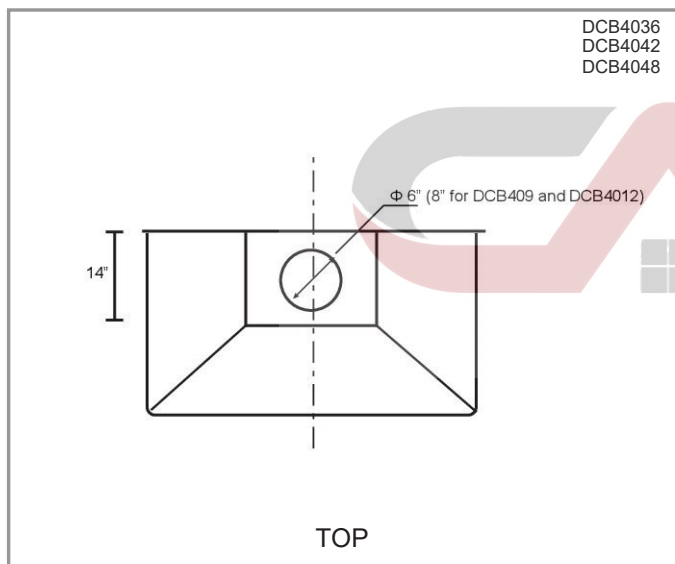
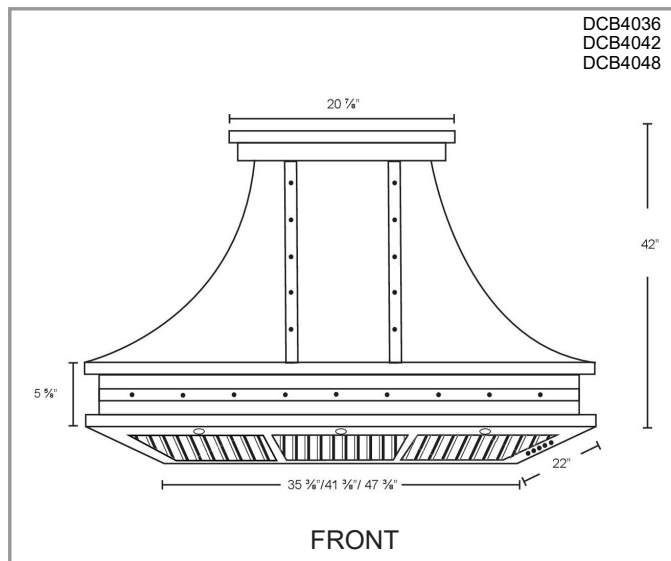
Cyclone Range Hoods Inc.

1361 Huntingwood Drive, Unit 16. Toronto, ON. M1S 3J1. Canada.

Toll Free: 1-888-293-5662 Tel: (416) 293-0933 Fax: (416) 293-4793 Website: www.CycloneRangeHoods.com

Features

- Wall mount range hood
- 8" round duct adapter (6" for 600 CFM)
- Non-stick aluminum fan blades
- 3 speed push button control
- 3 LED lights (3 x 1.4W, 4000K)
- Dishwasher-safe baffle filters
- 3 minutes time-delay OFF feature
- Fit for 9 ft ceiling only
- Plug-in connection



Options

- Widths: 36", 42", 48"
- Finishes: Stainless Steel/Chrome

Specifications

- | | | |
|---|--|--|
| <ul style="list-style-type: none"> • Air Flow Volume: 600/900/1200 CFM • Electrical Connection: 120 V/60 Hz • Power Consumption: 300 Watts | <ul style="list-style-type: none"> • Current: 2.5 Amps • Fan Speed: 1599 RPM • Fan Type: Centrifugal Blower | <ul style="list-style-type: none"> • Finishes: Stainless Steel/Chrome • Ducting: 8" Round (6" for 600 CFM) • Noise Level: Min. 2 Sones
Max. TBD |
|---|--|--|



DCB40WHB | DESIGNER Collection



Wall Mount

Each individual piece is a uniquely crafted piece of highly functional art. Our brand new line of luxury decorative hoods are a blend of old world craftsmanship with modern professional performance. Absolutely stunning decorative hoods, each uniquely hand-crafted and formed with incredible metal work and fully customizable options, including design and materials. Our current offerings allow semi-custom finishes so you can choose your desired width, power and finishing materials from matte black, satin stainless steel and designer white. The strappings are available in chrome or brass with rivets to match. The custom finishes will tie all your accent pieces together completing an elegant luxury kitchen appliance.

Green Features



3 Speed
Push Button
Control Panel



Dishwasher Safe
Baffle Filters



Time-Delay
OFF Feature



Long-Lasting
LED Lights



Model	Colour	Ducting	Filters	Size	CFM
DCB40636WHB	White/Brass	6"	Baffle	36"	600
DCB40642WHB	White/Brass	6"	Baffle	42"	600
DCB40648WHB	White/Brass	6"	Baffle	48"	600
DCB40936WHB	White/Brass	8"	Baffle	36"	900
DCB40942WHB	White/Brass	8"	Baffle	42"	900
DCB40948WHB	White/Brass	8"	Baffle	48"	900
DCB401236WHB	White/Brass	8"	Baffle	36"	1200
DCB401242WHB	White/Brass	8"	Baffle	42"	1200
DCB401248WHB	White/Brass	8"	Baffle	48"	1200

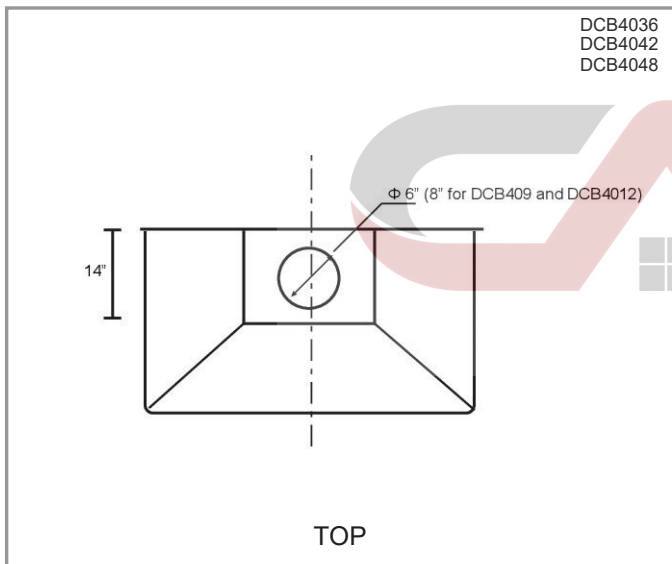
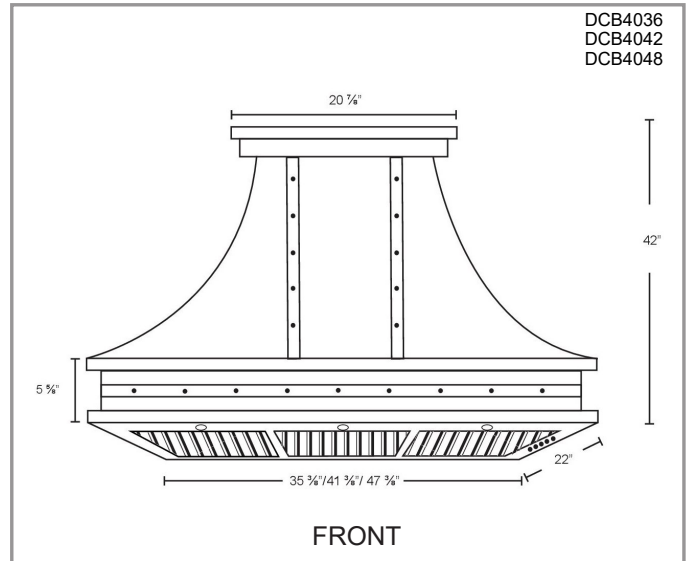
Cyclone Range Hoods Inc.

1361 Huntingwood Drive, Unit 16. Toronto, ON. M1S 3J1. Canada.

Toll Free: 1-888-293-5662 Tel: (416) 293-0933 Fax: (416) 293-4793 Website: www.CycloneRangeHoods.com

Features

- Wall mount range hood
- 8" round duct adapter (6" for 600 CFM)
- Non-stick aluminum fan blades
- 3 speed push button control
- 3 LED lights (3 x 1.4W, 4000K)
- Dishwasher-safe baffle filters
- 3 minutes time-delay OFF feature
- Fit for 9 ft ceiling only
- Plug-in connection



Options

- Widths: 36", 42", 48"
- Finishes: White/Brass

Specifications

- | | | |
|---|--|---|
| <ul style="list-style-type: none"> • Air Flow Volume: 600/900/1200 CFM • Electrical Connection: 120 V/60 Hz • Power Consumption: 300 Watts | <ul style="list-style-type: none"> • Current: 2.5 Amps • Fan Speed: 1599 RPM • Fan Type: Centrifugal Blower | <ul style="list-style-type: none"> • Finishes: White/Brass • Ducting: 8" Round (6" for 600 CFM) • Noise Level: Min. 2 Sones
Max. TBD |
|---|--|---|



DCB40WHC | DESIGNER Collection



Wall Mount

Each individual piece is a uniquely crafted piece of highly functional art. Our brand new line of luxury decorative hoods are a blend of old world craftsmanship with modern professional performance. Absolutely stunning decorative hoods, each uniquely hand-crafted and formed with incredible metal work and fully customizable options, including design and materials. Our current offerings allow semi-custom finishes so you can choose your desired width, power and finishing materials from matte black, satin stainless steel and designer white. The strappings are available in chrome or brass with rivets to match. The custom finishes will tie all your accent pieces together completing an elegant luxury kitchen appliance.

Green Features



3 Speed
Push Button
Control Panel



Dishwasher Safe
Baffle Filters



Time-Delay
OFF Feature



Long-Lasting
LED Lights



Model	Colour	Ducting	Filters	Size	CFM
DCB40636WHC	White/Chrome	6"	Baffle	36"	600
DCB40642WHC	White/Chrome	6"	Baffle	42"	600
DCB40648WHC	White/Chrome	6"	Baffle	48"	600
DCB40936WHC	White/Chrome	8"	Baffle	36"	900
DCB40942WHC	White/Chrome	8"	Baffle	42"	900
DCB40948WHC	White/Chrome	8"	Baffle	48"	900
DCB401236WHC	White/Chrome	8"	Baffle	36"	1200
DCB401242WHC	White/Chrome	8"	Baffle	42"	1200
DCB401248WHC	White/Chrome	8"	Baffle	48"	1200

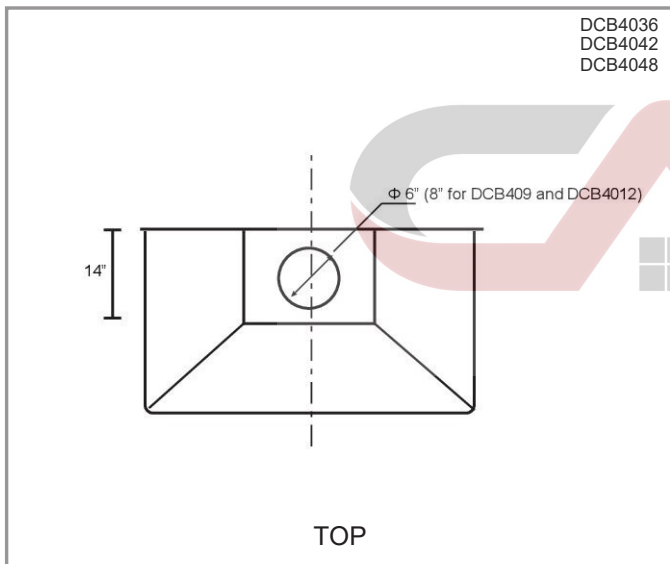
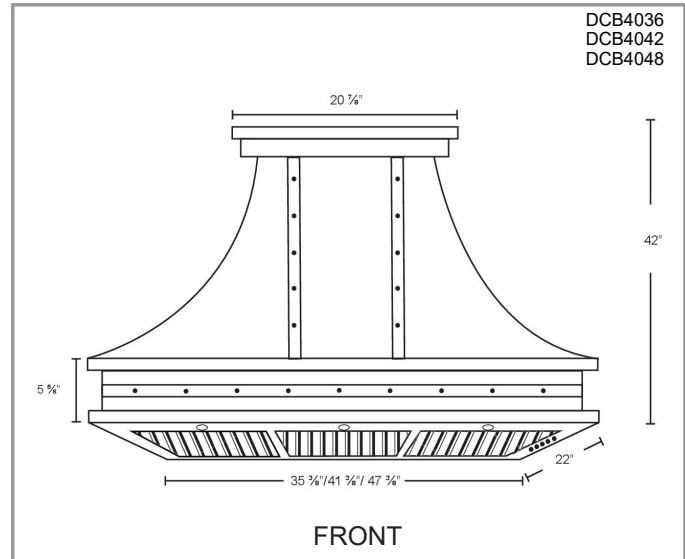
Cyclone Range Hoods Inc.

1361 Huntingwood Drive, Unit 16. Toronto, ON. M1S 3J1. Canada.

Toll Free: 1-888-293-5662 Tel: (416) 293-0933 Fax: (416) 293-4793 Website: www.CycloneRangeHoods.com

Features

- Wall mount range hood
- 8" round duct adapter (6" for 600 CFM)
- Non-stick aluminum fan blades
- 3 speed push button control
- 3 LED lights (3 x 1.4W, 4000K)
- Dishwasher-safe baffle filters
- 3 minutes time-delay OFF feature
- Fit for 9 ft ceiling only
- Plug-in connection



Options

- Widths: 36", 42", 48"
- Finishes: White/Chrome

Specifications

- | | | |
|--------------------------------------|--------------------------------|---|
| • Air Flow Volume: 600/900/1200 CFM | • Current: 2.5 Amps | • Finishes: White/Chrome |
| • Electrical Connection: 120 V/60 Hz | • Fan Speed: 1599 RPM | • Ducting: 8" Round (6" for 600 CFM) |
| • Power Consumption: 300 Watts | • Fan Type: Centrifugal Blower | • Noise Level: Min. 2 Sones
Max. TBD |



NA330R | PRO Collection



Undermount

The NA330R incorporates the best features of our PRO series with our Classic series of undermount fans. A stunning top gauge stainless steel frame encases the heavy-duty 680 CFM fan and bright, dual-setting LED lights. Featuring machine-washable, industrial strength baffle filters perfect for high-heat cooking. Equipped with a 60-minute time-delay OFF feature. For a refined and professional appeal in an undermount you can do no better than the NA330.



Green Features



6 Speed Digital Control Panel



Dishwasher Safe Baffle Filters



Grease Tray



Long-Lasting LED Lights



Time-Delay OFF Feature



Grease Ring

Model	Colour	Duct	Filters	Size	CFM
NA330R30	Stainless Steel	6"	Baffle	30"	680
NA330R36	Stainless Steel	6"	Baffle	36"	680

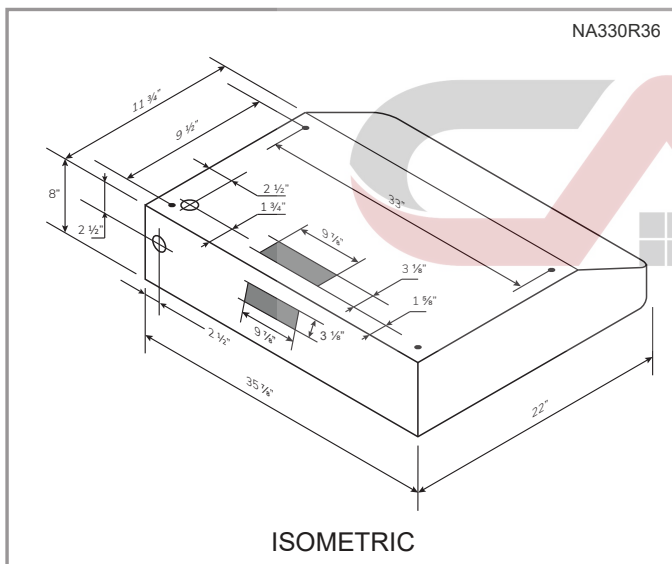
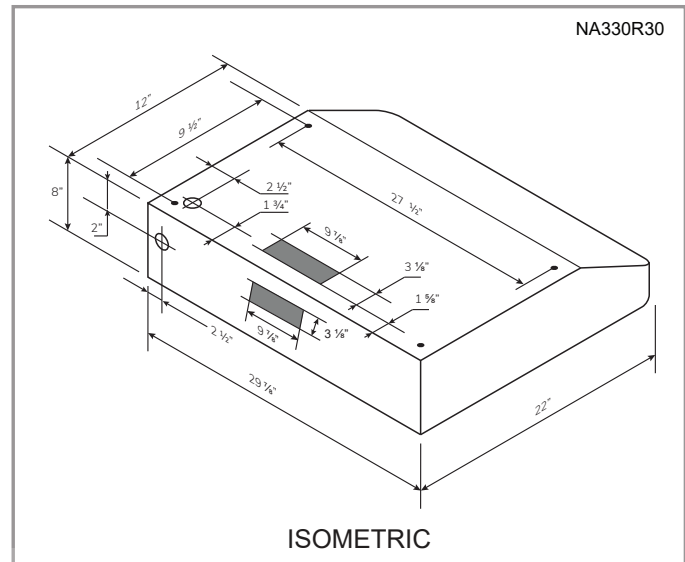
Cyclone Range Hoods Inc.

1361 Huntingwood Drive, Unit 16. Toronto, ON. M1S 3J1. Canada.

Toll Free: 1-888-293-5662 Tel: (416) 293-0933 Fax: (416) 293-4793 Website: www.CycloneRangeHoods.com

Features

- Undermount range hood
- 3 ¼" x 10" rectangular damper
- Non-stick aluminum fan blades
- 6 speed digital touch control panel
- 2 LED lights (2 x 1.4W, 4000K)
- Dishwasher-safe baffle filters with integrated handles
- Up to 60 minutes time-delay OFF feature
- Hard-wire connection



Options

- Widths: 30", 36"

Note: 36" comes with 3 filters

Specifications

- | | | |
|---|--|---|
| <ul style="list-style-type: none"> ▪ Air Flow Volume: 680 CFM ▪ Electrical Connection: 120 V/60 Hz ▪ Power Consumption: 280 Watts ▪ Current: 2.4 Amps | <ul style="list-style-type: none"> ▪ Fan Speed: 1600 RPM ▪ Fan Type: Dual Axial Blower ▪ Finishes: Stainless Steel ▪ Ducting: 6" Round | <ul style="list-style-type: none"> ▪ Noise Level: Min. 2 Sones
Max. 7 Sones ▪ Knock-out: 3 ¼" x 10"
Rectangular
(Top or Rear) |
|---|--|---|



NA940D | CLASSIC Collection



Undermount

Keep the air in your home fresh and clean with Cyclone's sleek and powerful all-new under mount, the NA940D. Features an efficient 680 CFM motor with adjustable speeds to whisk away grease, cooking odours and harmful moisture. The fan is encased in a tasteful frame to complement your other appliances and is fitted with round and rectangular vents on the top and another rectangular vent on the back to conveniently accommodate almost any kitchen installation.

Green Features



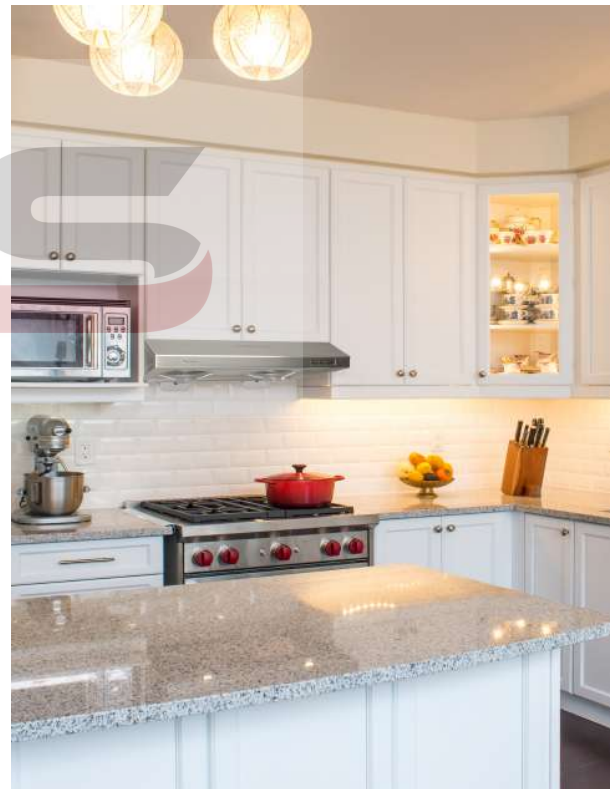
Grease Cup



2 Speed
Rocker Switch
Control Panel



Dishwasher Safe
Components



Model	Colour	Ducting	Size	CFM
NA940DW	White	6"	30"	680
NA940DB	Black	6"	30"	680
NA940DSS	Stainless Steel	6"	30"	680

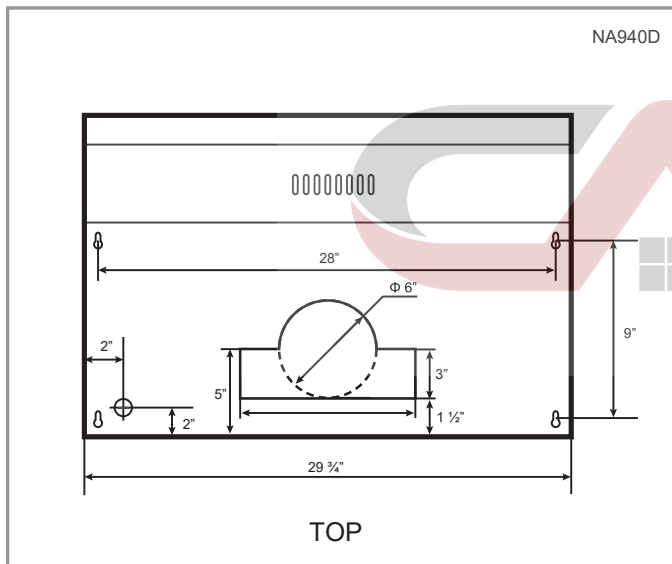
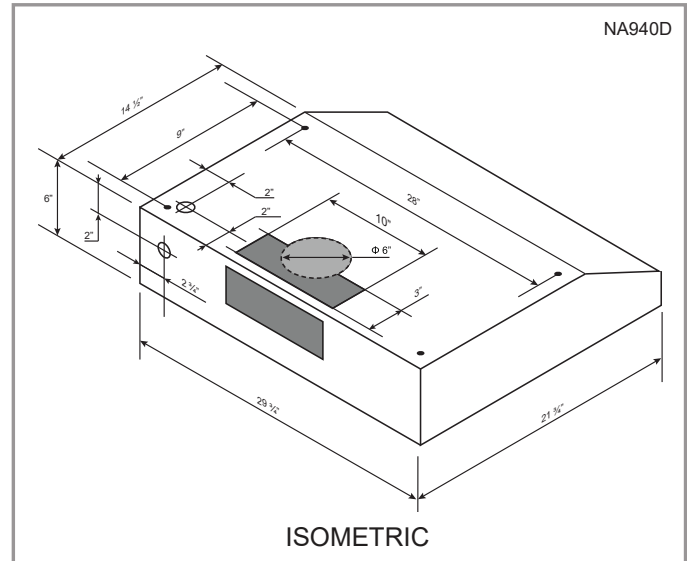
Cyclone Range Hoods Inc.

1361 Huntingwood Drive, Unit 16. Toronto, ON. M1S 3J1. Canada.

Toll Free: 1-888-293-5662 Tel: (416) 293-0933 Fax: (416) 293-4793 Website: www.CycloneRangeHoods.com

Features

- Undermount range hood
- 3 ¼" x 10" rectangular damper
- Non-stick aluminum fan blades
- 2 speed rocker switch control panel
- 1 CFL Lamp (1 x 13W E26) not included
- Hard-wire connection
- Filterless technology



Options

- Finishes: White
Black
Stainless Steel

Specifications

- | | | |
|---|---|---|
| <ul style="list-style-type: none"> ▪ Air Flow Volume: 680 CFM ▪ Electrical Connection: 120 V/60 Hz ▪ Power Consumption: 288 Watts ▪ Current: 2.4 Amps | <ul style="list-style-type: none"> ▪ Fan Speed: 1600 RPM ▪ Fan Type: Dual Axial Blower ▪ Finishes: White, Black, Stainless Steel ▪ Duct: 6" Round | <ul style="list-style-type: none"> ▪ Noise Level: Min. 2 Sones
Max. 7 Sones ▪ Knock-out:
3 ¼" x 10" Rectangular (Top or Rear)/
6" Circular (Top only) |
|---|---|---|



PTB56 | PRO Collection



Undermount

The PTB56 incorporates the best features of our PRO series with our CLASSIC series of undermount fans. A stunning top gauge stainless steel or matte black frame encases the heavy-duty 680 CFM fan and bright, dual setting LED lights. Featuring machine-washable, industrial strength baffle filters perfect for high-heat cooking. Equipped with a 3 minutes time-delay OFF feature. For a refined and professional appeal in an undermount you can do no better than the PTB56.

Green Features



4 Speed
Push Button
Control Panel



Dishwasher Safe
Baffle Filters



Grease Tray



Long-Lasting
LED Lights



Time-Delay
OFF Feature



Grease
Ring



Model	Colour	Duct	Filters	Size	CFM
PTB5630SS	Stainless Steel	6"	Baffle	30"	680
PTB5636SS	Stainless Steel	6"	Baffle	36"	680
PTB5630MB	Matte Black	6"	Baffle	30"	680
PTB5636MB	Matte Black	6"	Baffle	36"	680

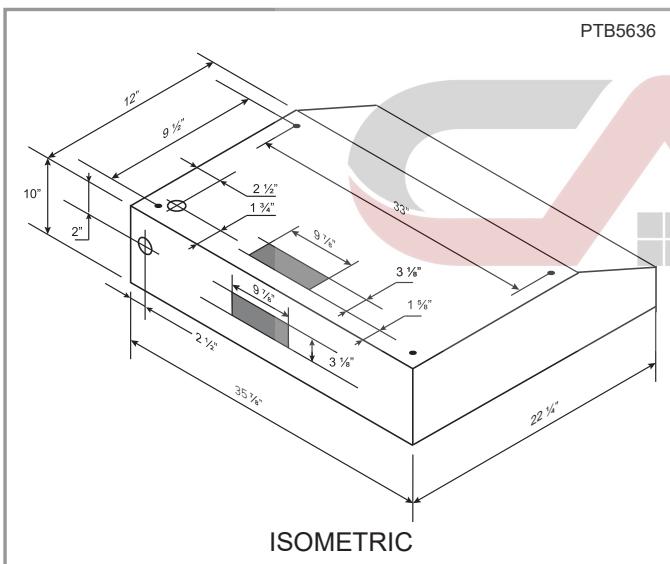
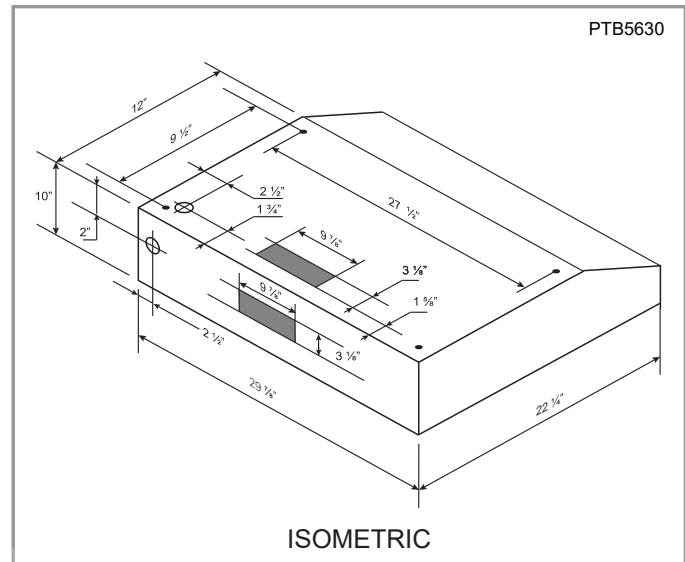
Cyclone Range Hoods Inc.

1361 Huntingwood Drive, Unit 16. Toronto, ON. M1S 3J1. Canada.

Toll Free: 1-888-293-5662 Tel: (416) 293-0933 Fax: (416) 293-4793 Website: www.CycloneRangeHoods.com

Features

- Undermount range hood
- 3 ¼" x 10" rectangular damper
- Non-stick aluminum fan blades
- 4 speed push button control panel
- 2 LED lights for 30", 3 LED lights for 36" (1.4W, 4000K)
- Quick release dishwasher-safe baffle filters
- 3 minutes time-delay OFF feature
- Hard-wire connection



Options

- Widths: 30", 36"
- Finishes: Stainless Steel, Matte Black

Note: 36" comes with three filters

Specifications

- Air Flow Volume: 680 CFM
- Electrical Connection: 120 V/60 Hz
- Power Consumption: 288 Watts
- Current: 2.4 Amps
- Fan Speed: 1600 RPM
- Fan Type: Dual Axial Blower
- Finishes: Stainless Steel, Matte Black
- Ducting: 6" Round
- Noise Level: Min. 2 Sones
Max. 7 Sones
- Knock-out: 3 ¼" x 10" Rectangular (Top or Rear)

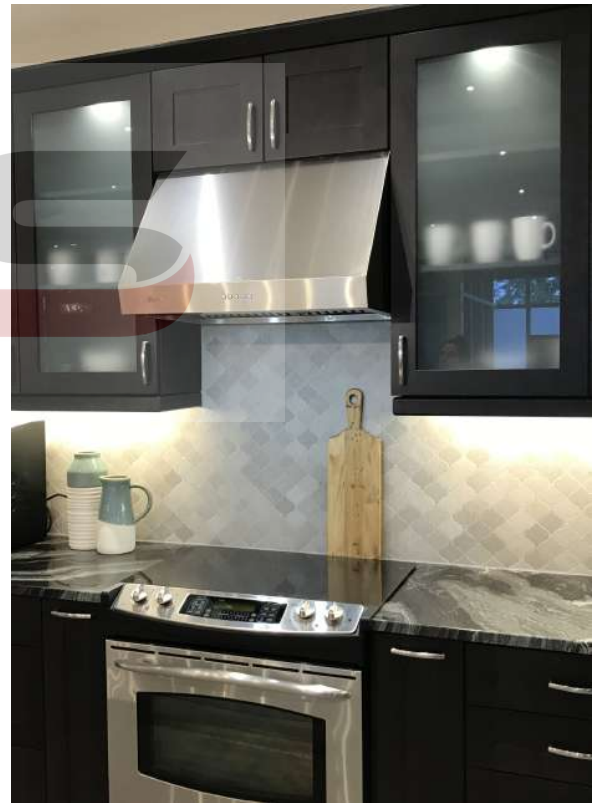


PTB83 | PRO Collection



Undermount

Cyclone is excited to introduce its grandest undermount ever. Perfect for high-heat cooking. The PTB83 has an incredible 3-speed 300 CFM fan wrapped in an imposing 18" tall wall-mount style stainless steel body. Quickly rid your kitchen of smoke and grease. Comes with durable and dishwasher-friendly baffle filters, 2 bright LED lights and a 6" duct connection for optimal performance and convenient installation, all backed by the best warranty in the business.



Green Features



3 Speed
Push Button
Control Panel



Dishwasher Safe
Baffle Filters



Time-Delay
OFF Feature



Grease Cup



Long-Lasting
LED Lights



Grease Tray

Model	Colour	Ducting	Filters	Size	CFM
PTB8324	Stainless Steel	6"	Baffle	24"	300

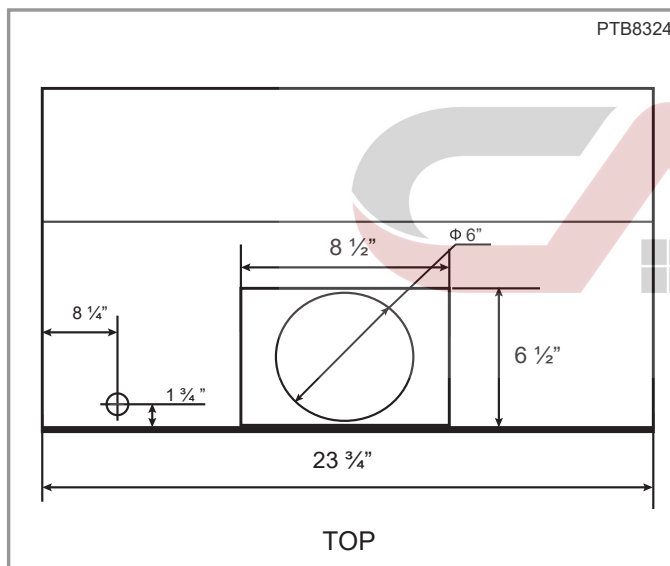
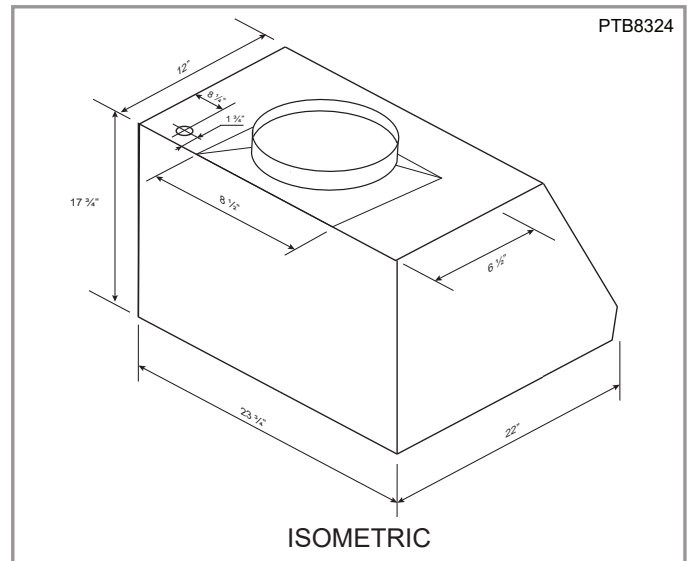
Cyclone Range Hoods Inc.

1361 Huntingwood Drive, Unit 16. Toronto, ON. M1S 3J1. Canada.

Toll Free: 1-888-293-5662 Tel: (416) 293-0933 Fax: (416) 293-4793 Website: www.CycloneRangeHoods.com

Features

- Undermount range hood
- 6" round duct adapter
- Non-stick aluminum fan blades
- 3 speed push button control
- 2 LED lights (2 x 1.4W, 4000K)
- Dishwasher-safe baffle filters with integrated handles
- 3 minutes time-delay OFF feature
- Hard-wire connection



Options

- Widths: 24" only

Specifications

- | | | |
|--------------------------------------|--------------------------------|---|
| ▪ Air Flow Volume: 300 CFM | ▪ Current: 2.5 Amps | ▪ Finishes: Stainless Steel |
| ▪ Electrical Connection: 120 V/60 Hz | ▪ Fan Speed: 1350 RPM | ▪ Ducting: 6" Round |
| ▪ Power Consumption: 300 Watts | ▪ Fan Type: Centrifugal Blower | ▪ Noise Level: Min. 2 Sones
Max. 4 Sones |



PTB86 | PRO Collection



Undermount

Cyclone is excited to introduce its grandest undermount ever. Perfect for high-heat cooking. The PTB86 has an incredible 3-speed 600 CFM fan wrapped in an imposing 18" tall wall-mount style stainless steel body. Quickly rid your kitchen of smoke and grease. Comes with durable and dishwasher-friendly baffle filters, 3 bright LED lights and a 6" duct connection for optimal performance and convenient installation, all backed by the best warranty in the business.



Green Features



3 Speed
Push Button
Control Panel



Dishwasher Safe
Baffle Filters



Time-Delay
OFF Feature



Grease Cup



Long-Lasting
LED Lights



Grease Tray

Model	Colour	Ducting	Filters	Size	CFM
PTB8624	Stainless Steel	6"	Ba ffile	24"	600
PTB8630	Stainless Steel	6"	Ba ffile	30"	600
PTB8636	Stainless Steel	6"	Ba ffile	36"	600
PTB8630MB	Matte Black	6"	Baffle	30"	600
PTB8636MB	Matte Black	6"	Baffle	36"	600

Cyclone Range Hoods In c.

1361 Huntingwood Drive, Unit 16. Toronto, ON. M1S 3J1. Canada.

Toll Free: 1-888-293-5662

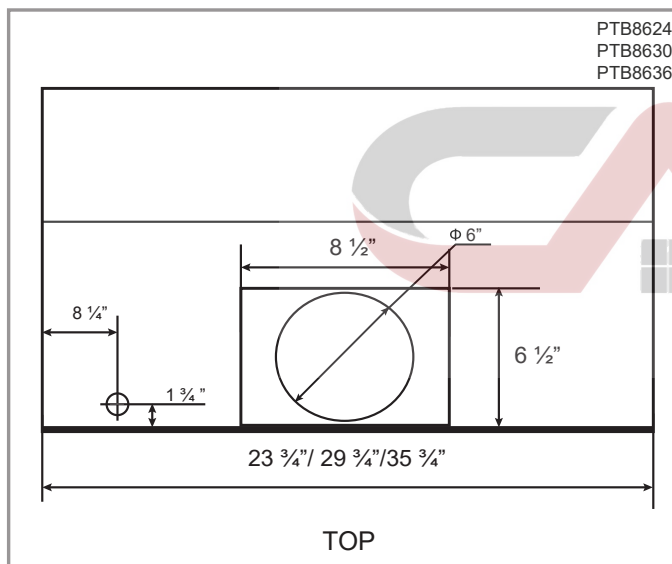
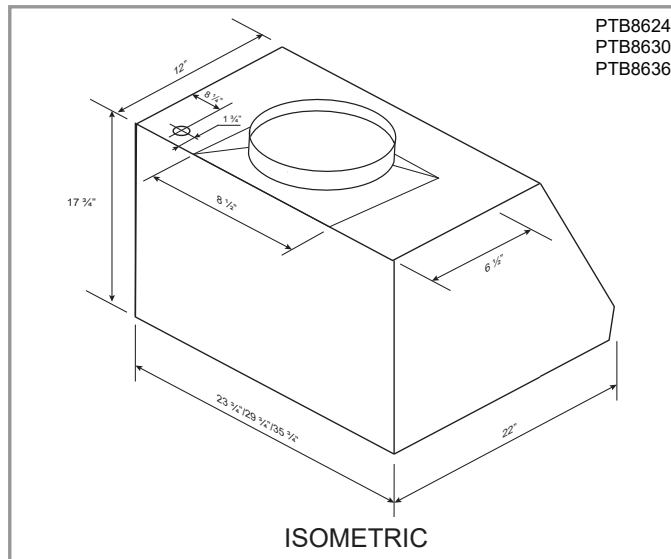
Tel: (416) 293-0933

Fax: (416) 293-4793

Website: www.CycloneRangeHoods.com

Features

- Undermount range hood
- 6" round duct adapter
- Non-stick aluminum fan blades
- 3 speed push button control
- 3 LED lights for 30" and 36", 2 LED lights for 24" (3 x 1.4W, 4000K)
- Dishwasher-safe baffle filters with integrated handles
- 3 minutes time-delay OFF feature
- Hard-wire connection



Options

- Widths: 24", 30", 36"
- Finishes: Stainless Steel, Matte Black

Note: 24" in stainless steel only

Specifications

- | | | |
|--------------------------------------|--------------------------------|---|
| • Air Flow Volume: 600 CFM | • Current: 2.5 Amps | • Finishes: Stainless Steel, Matte Black |
| • Electrical Connection: 120 V/60 Hz | • Fan Speed: 1599 RPM | • Ducting: 6" Round |
| • Power Consumption: 300 Watts | • Fan Type: Centrifugal Blower | • Noise Level: Min. 2 Sones
Max. 6 Sones |



PTB88 | PRO Collection



Undermount

Cyclone is excited to introduce its grandest undermount ever. Perfect for high-heat cooking. The PTB88 has an incredible 3-speed 880 CFM fan wrapped in an imposing 18" tall wall-mount style stainless steel body. Quickly rid your kitchen of smoke and grease. Comes with durable and dishwasher-friendly baffle filters, 3 bright LED lights and a 8" duct connection for optimal performance and convenient installation, all backed by the best warranty in the business.

Green Features



3 Speed
Push Button
Control Panel



Dishwasher Safe
Baffle Filters



Time-Delay
OFF Feature



Grease Tray



Long-Lasting
LED Lights



Model	Colour	Ducting	Filters	Size	CFM
PTB8830	Stainless Steel	8"	Baffle	30"	880
PTB8836	Stainless Steel	8"	Baffle	36"	880
PTB8842	Stainless Steel	8"	Baffle	42"	880
PTB8848**	Stainless Steel	8"	Baffle	48"	880
PTB8830MB	Matte Black	8"	Baffle	30"	880
PTB8836MB	Matte Black	8"	Baffle	36"	880

**Special Order

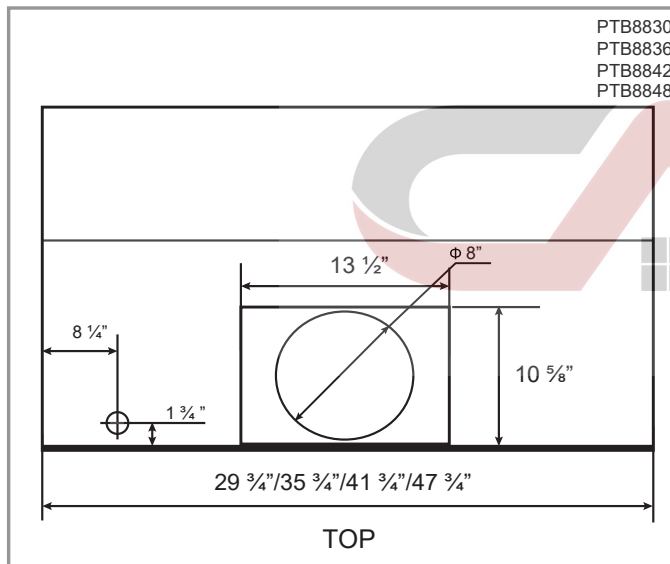
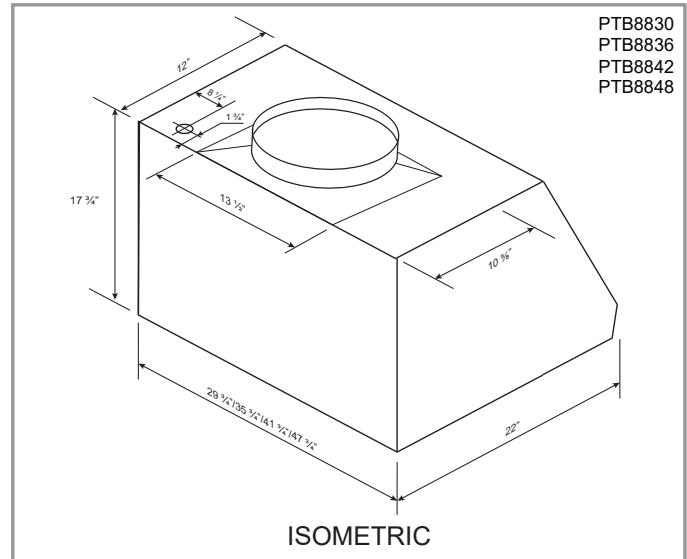
Cyclone Range Hoods Inc.

1361 Huntingwood Drive, Unit 16. Toronto, ON. M1S 3J1. Canada.

Toll Free: 1-888-293-5662 Tel: (416) 293-0933 Fax: (416) 293-4793 Website: www.CycloneRangeHoods.com

Features

- Undermount range hood
- 8" round duct adapter
- Non-stick aluminum fan blades
- 3 speed push button control
- 3 LED lights (3 x 1.4W, 4000K)
- Dishwasher-safe baffle filters with integrated handles
- 3 minutes time-delay OFF feature
- Hard-wire connection



Options

- Widths: 30", 36", 42", 48"
- Finishes: Stainless Steel, Matte Black

Note: 42" and 48" are special orders

Specifications

- | | | |
|--------------------------------------|--------------------------------|--|
| ▪ Air Flow Volume: 880 CFM | ▪ Current: 2.4 Amps | ▪ Finishes: Stainless Steel, Matte Black |
| ▪ Electrical Connection: 120 V/60 Hz | ▪ Fan Speed: 1599 RPM | ▪ Ducting: 8" Round |
| ▪ Power Consumption: 300 Watts | ▪ Fan Type: Centrifugal Blower | ▪ Noise Level: Min. 2 Sones
Max. TBD |



PTB812 | PRO Collection



Undermount

Cyclone is excited to introduce its grandest undermount ever. Perfect for high-heat cooking. The PTB812 has an incredible 3-speed 1200 CFM fan wrapped in an imposing 18" tall wall-mount style stainless steel body. Quickly rid your kitchen of smoke and grease. Comes with durable and dishwasher-friendly baffle filters, 3 bright LED lights and a 8" duct connection for optimal performance and convenient installation, all backed by the best warranty in the business.

Green Features



3 Speed
Push Button
Control Panel



Dishwasher Safe
Baffle Filters



Time-Delay
OFF Feature



Grease Tray



Long-Lasting
LED Lights



Model	Colour	Ducting	Filters	Size	CFM
PTB81236	Stainless Steel	8"	Baffle	36"	1200
PTB81242	Stainless Steel	8"	Baffle	42"	1200
PTB81248	Stainless Steel	8"	Baffle	48"	1200
PTB81236MB	Matte Black	8"	Baffle	36"	1200

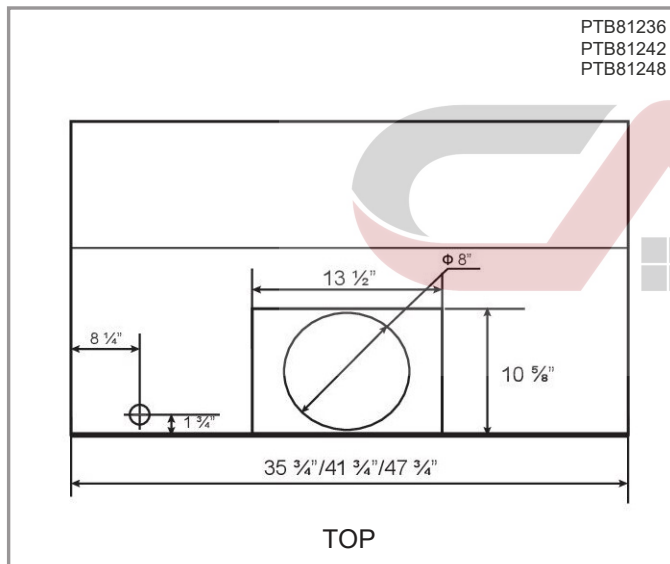
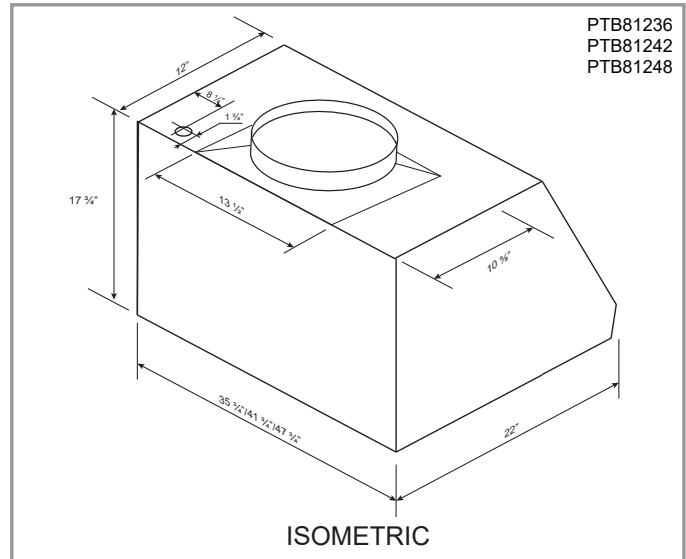
Cyclone Range Hoods Inc.

1361 Huntingwood Drive, Unit 16. Toronto, ON. M1S 3J1. Canada.

Toll Free: 1-888-293-5662 Tel: (416) 293-0933 Fax: (416) 293-4793 Website: www.CycloneRangeHoods.com

Features

- Undermount range hood
- 8" round duct adapter
- Non-stick aluminum fan blades
- 3 speed push button control
- 3 LED lights (3 x 1.4W, 4000K)
- Dishwasher-safe baffle filters with integrated handles
- 3 minutes time-delay OFF feature
- Hard-wire connection



Options

- Widths: 36", 42", 48"
- Finishes: Stainless Steel, Matte Black

Note: 42" and 48" are special orders

Specifications

- | | | |
|--------------------------------------|--------------------------------|--|
| ▪ Air Flow Volume: 1200 CFM | ▪ Current: 2.5 Amps | ▪ Finishes: Stainless Steel, Matte Black |
| ▪ Electrical Connection: 120 V/60 Hz | ▪ Fan Speed: 1599 RPM | ▪ Ducting: 8" Round |
| ▪ Power Consumption: 300 Watts | ▪ Fan Type: Centrifugal Blower | ▪ Noise Level: Min. 2 Sones
Max. TBD |



SC(B)301 | ALITO Collection



Wall Mount

A very attractive exhaust fan, the SC(B)301 is the perfect balance of substance and style. The arched glass canopy frames a classic design giving it a modern appeal. The hood features a three-speed digital control panel. Two LED lights, two mesh or baffle filters and a quiet, efficient motor. Fitted with a time-delay OFF feature up to nine minutes.



Green Features



3 Speed Push Button Control Panel



Long-Lasting LED Lights



Time-Delay OFF Feature



Grease Cup

Model	Colour	Ducting	Filters	Size	CFM
SC30130	Stainless Steel	6"	Mesh	30"	300
SC30136	Stainless Steel	6"	Mesh	36"	300
SCB30130	Stainless Steel	6"	Baffle	30"	300
SCB30136	Stainless Steel	6"	Baffle	36"	300

Cyclone Range Hoods Inc.

1361 Huntingwood Drive, Unit 16. Toronto, ON. M1S 3J1. Canada.

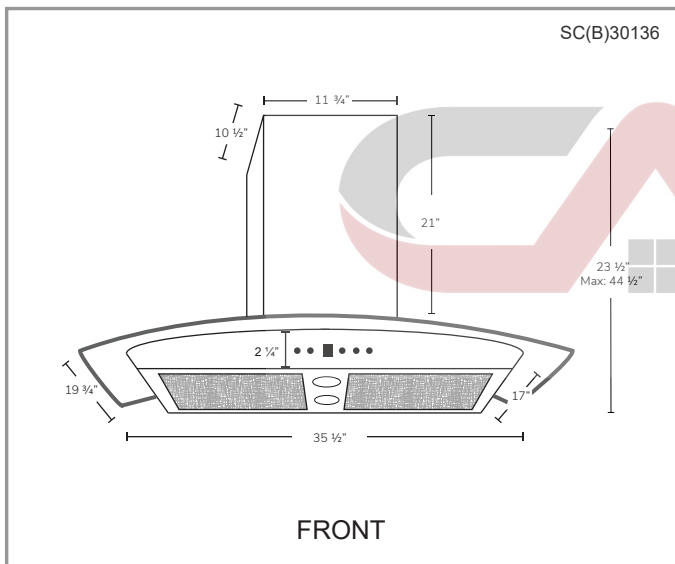
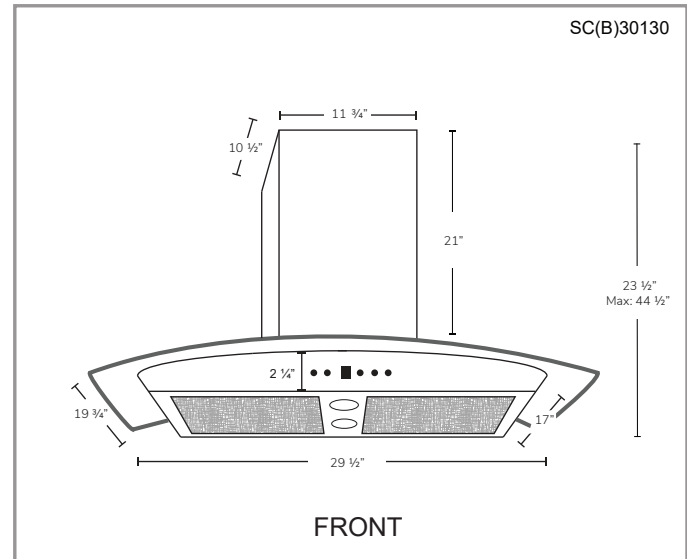
Toll Free: 1-888-293-5662 Tel: (416) 293-0933 Fax: (416) 293-4793 Website: www.CycloneRangeHoods.com

SC(B)301 | ALITO Collection



Features

- Wall mount range hood
- 6" round duct adapter
- Non-stick aluminum fan blades
- 3 speed push button control
- 2 LED lights (2 x 1.4W, 4000K)
- Quick release aluminum mesh filters
- Standard chimney fits up to 9 ft. ceiling
- Up to 9 minutes time-delay OFF feature
- Plug-in connection



Options

- Filters:
 - SC301 - Quick Release Aluminum Mesh Filters
 - SCB301 - Quick Release Stainless Steel Baffle Filters
- Chimney Flues:
 - B1.CH16 - short (7'-8' ceilings)
 - B1.CH22 - standard (8'-9' ceilings)
 - B1.CH32 - extended (9'-11' ceilings)
- Widths: 30", 36"

Specifications

- | | | |
|--|--|--|
| <ul style="list-style-type: none">▪ Air Flow Volume: 300 CFM▪ Electrical Connection: 120 V/60 Hz▪ Power Consumption: 300 Watts | <ul style="list-style-type: none">▪ Current: 2.5 Amps▪ Fan Speed: 1350 RPM▪ Fan Type: Centrifugal Blower | <ul style="list-style-type: none">▪ Finishes: Stainless Steel▪ Ducting: 6" Round▪ Noise Level: Min. 2 Sones
Max. 4 Sones |
|--|--|--|



SC(B)319 | ALITO Collection



30"/36" Mesh Filter



30"/36" Baffle Filter

Wall Mount

Our most popular and best-selling model has been redesigned to have the bright dual-setting LED lights on the front of the range hood to better illuminate your cooking surface where you need it most. The relocation of the lights will not only improve illumination over your cooktop it also helps hide any imperfections in your backsplash finish. The lighting being in the front of the hood will help the tortured perfectionists out there to avoid any reminders that even the most skilled tilers cannot always avoid having slight imperfections. This small change may seem superficial but will make a huge difference for all involved and can help keep your project under budget. As they say in business...."it is all in the finishing".

Green Features



3 Speed Push Button Control Panel



Long-Lasting LED Lights



Time-Delay OFF Feature



Grease Cup



Model	Colour	Ducting	Filters	Size	CFM
SC31924	Stainless Steel	6"	Mesh	24"	300
SC31930	Stainless Steel	6"	Mesh	30"	300
SC31936	Stainless Steel	6"	Mesh	36"	300
SCB31924	Stainless Steel	6"	Baffle	24"	300
SCB31930	Stainless Steel	6"	Baffle	30"	300
SCB31936	Stainless Steel	6"	Baffle	36"	300

Cyclone Range Hoods Inc.

1361 Huntingwood Drive, Unit 16. Toronto, ON. M1S 3J1. Canada.

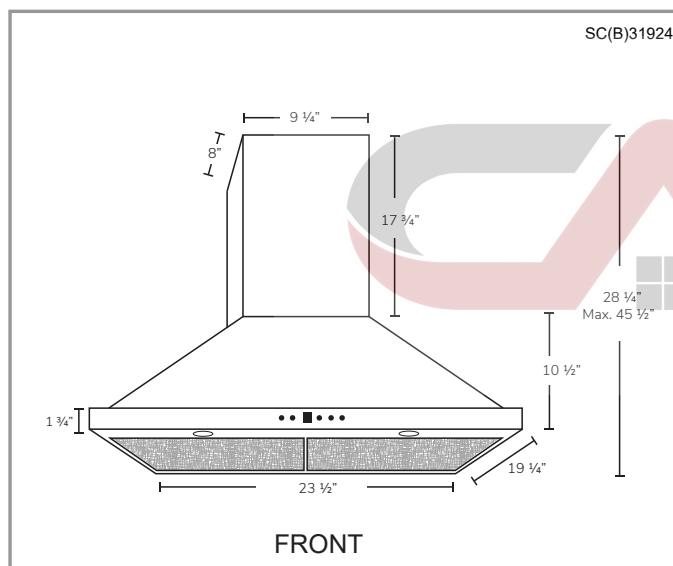
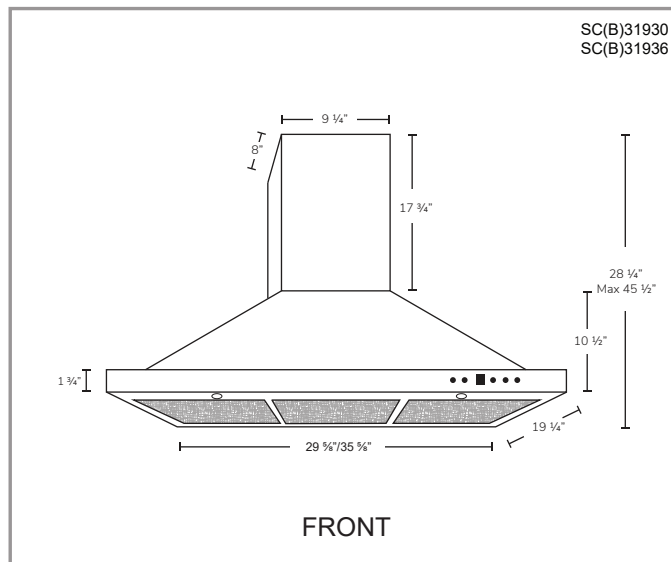
Toll Free: 1-888-293-5662 Tel: (416) 293-0933 Fax: (416) 293-4793 Website: www.CycloneRangeHoods.com

SC(B)319 | ALITO Collection

Cyclone[®]
Breathe Better

Features

- Wall mount range hood
- 6" round duct adapter
- Non-stick aluminum fan blades
- 3 speed push button control
- 2 LED lights (2 x 1.4W, 4000K)
- Quick release filters
- Standard chimney fits up to 9 ft. ceiling
- Up to 9 minutes time-delay OFF feature
- Plug-in connection



Options

- Filters:
 - SC319 - Quick Release Aluminum Mesh Filters
 - SCB319 - Quick Release Stainless Steel Baffle Filters
- Chimney Flues:
 - A1.CH10 - short (7'-8' ceilings)
 - A1.CH18 - standard (8'-9' ceilings)
 - A1.CH30 - extended (9'-11' ceilings)
- Widths: 24", 30", 36"

Specifications

- | | | |
|--|--|--|
| <ul style="list-style-type: none">• Air Flow Volume: 300 CFM• Electrical Connection: 120 V/60 Hz• Power Consumption: 300 Watts | <ul style="list-style-type: none">• Current: 2.5 Amps• Fan Speed: 1350 RPM• Fan Type: Centrifugal Blower | <ul style="list-style-type: none">• Finishes: Stainless Steel• Ducting: 6" Round• Noise Level: Min. 2 Sones
Max. 4 Sones |
|--|--|--|



SC(B)322 | PRO Collection



Wall Mount

Designed with an emphasis on the beauty of simplicity, the straightforward design of this model blends seamlessly with a modern kitchen environment. Features 300 CFM of drawing power, two LED lights at the front of the machine, and fitted with a time-delay OFF feature up to nine minutes.

Green Features



3 Speed Push Button Control Panel



Long-Lasting LED Lights



Time-Delay OFF Feature



Grease Cup



Model	Colour	Ducting	Filters	Size	CFM
SC32224	Stainless Steel	6"	Mesh	24"	300
SC32230	Stainless Steel	6"	Mesh	30"	300
SC32236	Stainless Steel	6"	Mesh	36"	300
SCB32224	Stainless Steel	6"	Baffle	24"	300
SCB32230	Stainless Steel	6"	Baffle	30"	300
SCB32236	Stainless Steel	6"	Baffle	36"	300

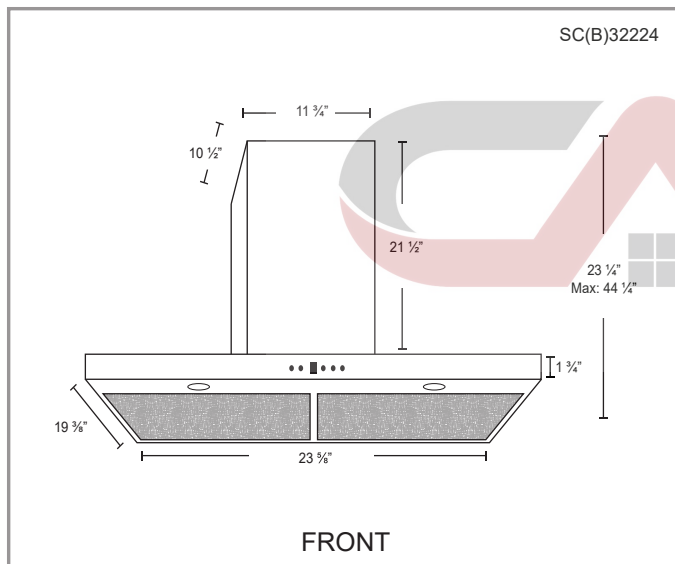
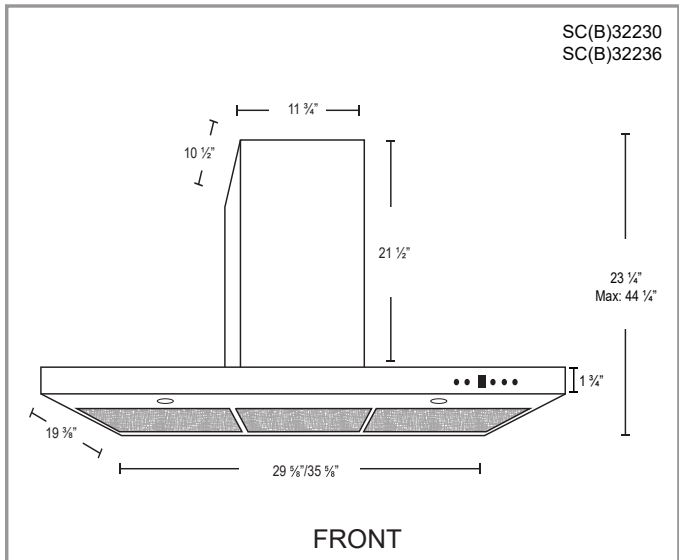
Cyclone Range Hoods Inc.

1361 Huntingwood Drive, Unit 16. Toronto, ON. M1S 3J1. Canada.

Toll Free: 1-888-293-5662 Tel: (416) 293-0933 Fax: (416) 293-4793 Website: www.CycloneRangeHoods.com

Features

- Wall mount range hood
- 6" round duct adapter
- Non-stick aluminum fan blades
- 3 speed push button control
- 2 LED lights (2 x 1.4W, 4000K)
- Quick release aluminum mesh filters
- Standard chimney fits up to 9 ft. ceiling
- Up to 9 minutes time-delay OFF feature
- Plug-in connection



Options

- **Filters:**
 - SC322 - Quick Release Aluminum Mesh Filters
 - SCB322 - Quick Release Stainless Steel Baffle Filters
- **Chimney Flues:**
 - B2.CH16 - short (7'-8' ceilings)
 - B2.CH22 - standard (8'-9' ceilings)
 - B2.CH32 - extended (9'-11' ceilings)
- **Widths:** 24", 30", 36"

Specifications

- | | | |
|--|--|--|
| <ul style="list-style-type: none"> ▪ Air Flow Volume: 300 CFM ▪ Electrical Connection: 120 V/60 Hz ▪ Power Consumption: 300 Watts | <ul style="list-style-type: none"> ▪ Current: 2.5 Amps ▪ Fan Speed: 1350 RPM ▪ Fan Type: Centrifugal Blower | <ul style="list-style-type: none"> ▪ Finishes: Stainless Steel ▪ Ducting: 6" Round ▪ Noise Level: Min. 2 Sones
Max. 4 Sones |
|--|--|--|



SC(B)501 | ALITO Collection



Wall Mount

A very attractive exhaust fan, the SC(B)501 is the perfect balance of substance and style. The arched glass canopy frames a classic design giving it a modern appeal. The hood features a three-speed digital control panel. Two LED lights, two mesh or baffle filters and a quiet, efficient motor. Fitted with a time-delay OFF feature up to nine minutes.



Green Features



3 Speed Push Button Control Panel



Long-Lasting LED Lights



Time-Delay OFF Feature



Grease Cup

Model	Colour	Ducting	Filters	Size	CFM
SC50130	Stainless Steel	6"	Mesh	30"	550
SC50136	Stainless Steel	6"	Mesh	36"	550
SCB50130	Stainless Steel	6"	Baffle	30"	550
SCB50136	Stainless Steel	6"	Baffle	36"	550

Cyclone Range Hoods Inc.

1361 Huntingwood Drive, Unit 16. Toronto, ON. M1S 3J1. Canada.

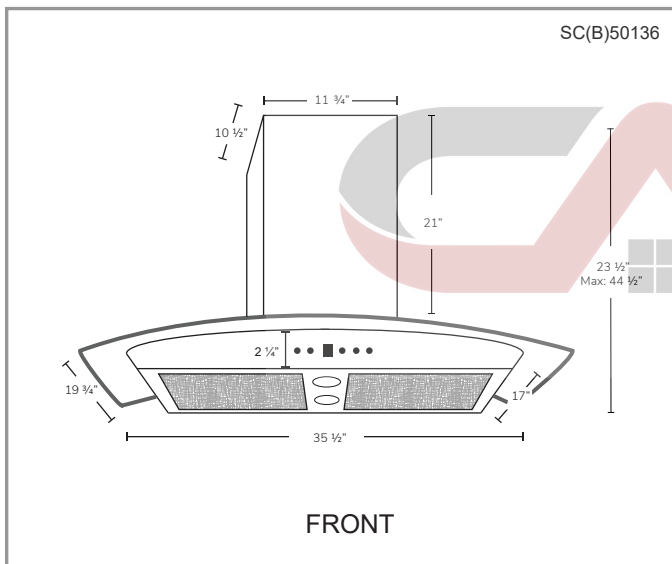
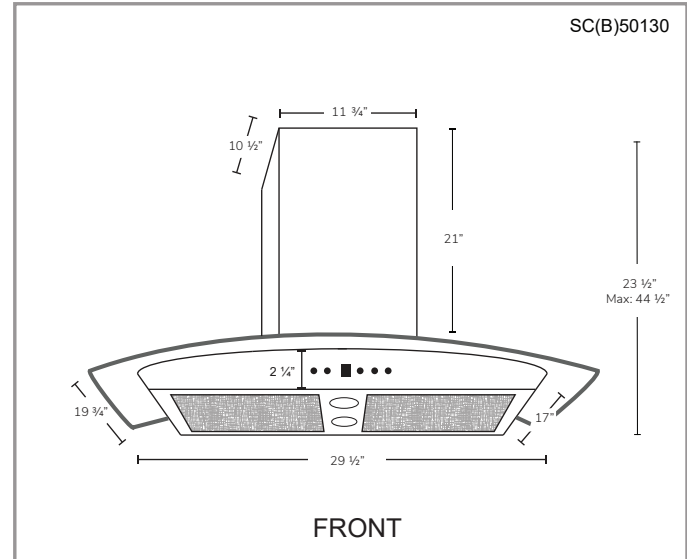
Toll Free: 1-888-293-5662 Tel: (416) 293-0933 Fax: (416) 293-4793 Website: www.CycloneRangeHoods.com

SC(B)501 | ALITO Collection

Cyclone[®]
Breathe Better

Features

- Wall mount range hood
- 6" round duct adapter
- Non-stick aluminum fan blades
- 3 speed push button control
- 2 LED lights (2 x 1.4W, 4000K)
- Quick release aluminum mesh filters
- Standard chimney fits up to 9 ft. ceiling
- Up to 9 minutes time-delay OFF feature
- Plug-in connection



Options

- Filters:
 - SC501 - Quick Release Aluminum Mesh Filters
 - SCB501 - Quick Release Stainless Steel Baffle Filters
- Chimney Flues:
 - B1.CH16 - short (7'-8' ceilings)
 - B1.CH22 - standard (8'-9' ceilings)
 - B1.CH32 - extended (9'-11' ceilings)
- Widths: 30", 36"

Specifications

- Air Flow Volume: 550 CFM
- Electrical Connection: 120 V/60 Hz
- Power Consumption: 300 Watts
- Current: 2.5 Amps
- Fan Speed: 1599 RPM
- Fan Type: Centrifugal Blower
- Finishes: Stainless Steel
- Ducting: 6" Round
- Noise Level: Min. 2 Sones
Max. 6 Sones



SC(B)502 | ALITO Collection



Wall Mount

The SC(B)502 embodies the qualities and characteristics that distinguish Cyclone from the competition. This handsome and tasteful range hood is a wonderful compliment to modern and upscale home decor. Featuring button-controlled LED lights and a three-speed fan, the attractive glass canopy broadly frames the filters and blocks smoke and grease from staining the vent shaft. Quiet and powerful, the fan draws air out of your kitchen with minimal sound and is also fitted with a time-delay OFF feature up to nine minutes.

Green Features



3 Speed Push Button Control Panel



Long-Lasting LED Lights



Time-Delay OFF Feature



Grease Cup



Model	Colour	Ducting	Filters	Size	CFM
SC50230	Stainless Steel	6"	Mesh	30"	550
SC50236	Stainless Steel	6"	Mesh	36"	550
SCB50230	Stainless Steel	6"	Baffle	30"	550
SCB50236	Stainless Steel	6"	Baffle	36"	550

Cyclone Range Hoods Inc.

1361 Huntingwood Drive, Unit 16. Toronto, ON. M1S 3J1. Canada.

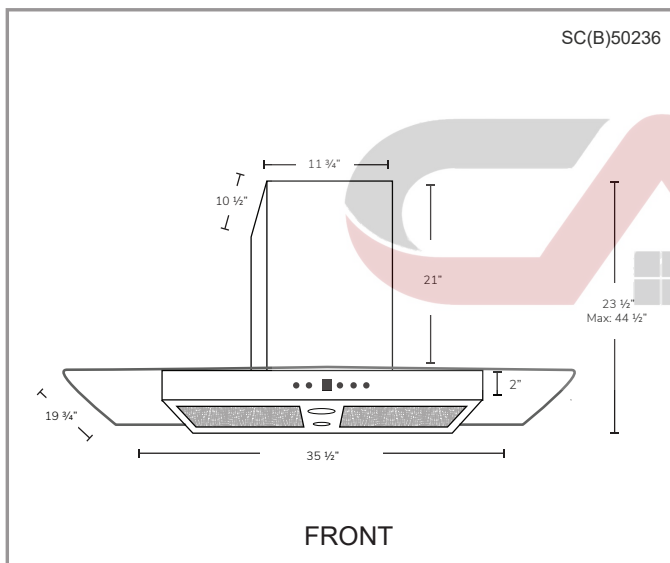
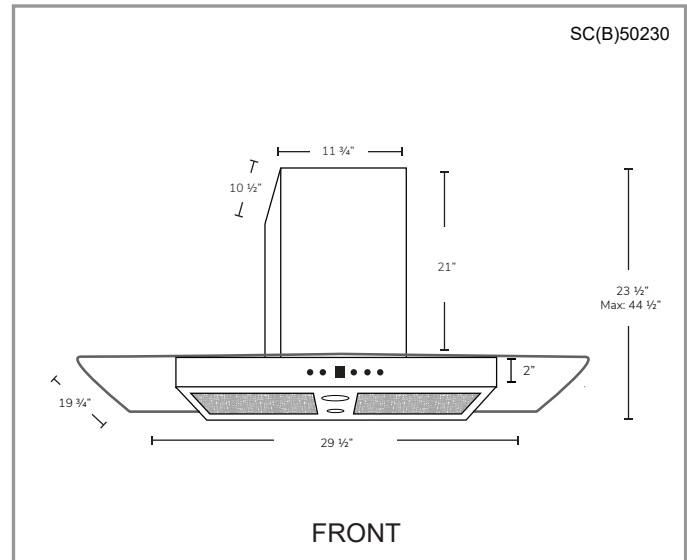
Toll Free: 1-888-293-5662 Tel: (416) 293-0933 Fax: (416) 293-4793 Website: www.CycloneRangeHoods.com

SC(B)502 | ALITO Collection

Cyclone[®]
Breathe Better

Features

- Wall mount range hood
- 6" round duct adapter
- Non-stick aluminum fan blades
- 3 speed push button control
- 2 LED lights (2 x 1.4W, 4000K)
- Quick release aluminum mesh filters
- Standard chimney fits up to 9 ft. ceiling
- Up to 9 minutes time-delay OFF feature
- Plug-in connection



Options

- Filters:
 - SC502 - Quick Release Aluminum Mesh Filters
 - SCB502 - Quick Release Stainless Steel Baffle Filters
- Chimney Flues:
 - B1.CH16 - short (7'-8' ceilings)
 - B1.CH22 - standard (8'-9' ceilings)
 - B1.CH32 - extended (9'-11' ceilings)
- Widths: 30", 36"

Specifications

- | | | |
|--|--|--|
| <ul style="list-style-type: none">▪ Air Flow Volume: 550 CFM▪ Electrical Connection: 120 V/60 Hz▪ Power Consumption: 300 Watts | <ul style="list-style-type: none">▪ Current: 2.5 Amps▪ Fan Speed: 1599 RPM▪ Fan Type: Centrifugal Blower | <ul style="list-style-type: none">▪ Finishes: Stainless Steel▪ Ducting: 6" Round▪ Noise Level: Min. 2 Sones
Max. 6 Sones |
|--|--|--|



SC(B)513 | ALITO Collection



Wall Mount

The SC(B)513 features three filters across the bottom of the fan, two bright LED lights, a digital control panel and a straight-edged stainless steel frame. This is a quality fan for cooks who demand performance. Option to upgrade to baffle filters available. Fitted with a time-delay OFF feature up to nine minutes.



Green Features



3 Speed Push Button Control Panel



Long-Lasting LED Lights



Time-Delay OFF Feature



Grease Cup

Model	Colour	Ducting	Filters	Size	CFM
SC51330	Stainless Steel	6"	Mesh	30"	550
SC51336	Stainless Steel	6"	Mesh	36"	550
SCB51330	Stainless Steel	6"	Baffle	30"	550
SCB51336	Stainless Steel	6"	Baffle	36"	550

Cyclone Range Hoods Inc.

1361 Huntingwood Drive, Unit 16. Toronto, ON. M1S 3J1. Canada.

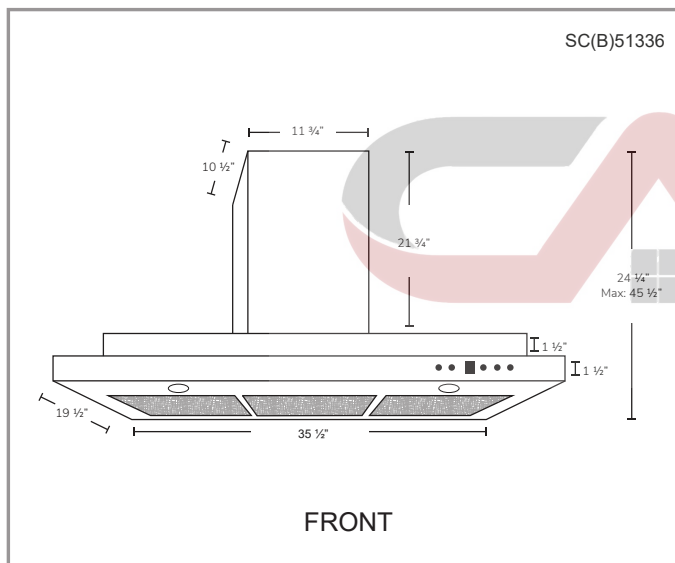
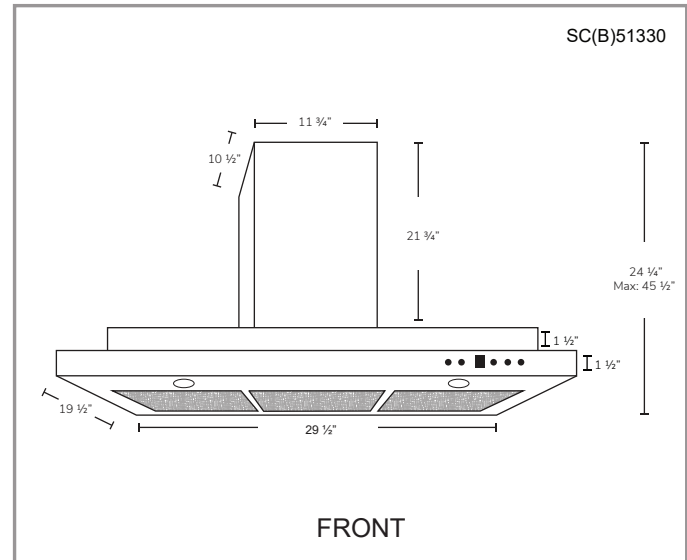
Toll Free: 1-888-293-5662 Tel: (416) 293-0933 Fax: (416) 293-4793 Website: www.CycloneRangeHoods.com

SC(B)513 | ALITO Collection

Cyclone[®]
Breathe Better

Features

- Wall mount range hood
- 6" round duct adapter
- Non-stick aluminum fan blades
- 3 speed push button control
- 2 LED lights (2 x 1.4W, 4000K)
- Quick release aluminum mesh filters
- Standard chimney fits up to 9 ft. ceiling
- Up to 9 minutes time-delay OFF feature
- Plug-in connection



Options

- **Filters:**
 - SC513 - Quick Release Aluminum Mesh Filters
 - SCB513 - Quick Release Stainless Steel Baffle Filters
- **Chimney Flues:**
 - B2.CH16 - short (7'-8' ceilings)
 - B2.CH22 - standard (8'-9' ceilings)
 - B2.CH32 - extended (9'-11' ceilings)
- **Widths: 30", 36"**

Specifications

- | | | |
|--|--|--|
| <ul style="list-style-type: none">▪ Air Flow Volume: 550 CFM▪ Electrical Connection: 120 V/60 Hz▪ Power Consumption: 300 Watts | <ul style="list-style-type: none">▪ Current: 2.5 Amps▪ Fan Speed: 1599 RPM▪ Fan Type: Centrifugal Blower | <ul style="list-style-type: none">▪ Finishes: Stainless Steel▪ Ducting: 6" Round▪ Noise Level: Min. 2 Sones
Max. 6 Sones |
|--|--|--|



SC(B)514 | ALITO Collection



Wall Mount

The SC(B)514 makes a statement of strength and power with a bold frame and 550 CFM fan. Features mesh or baffle filters, two bright LED lights and a three-speed panel for total control. It is also fitted with a time-delay OFF feature up to nine minutes.



Green Features



3 Speed Push Button Control Panel



Long-Lasting LED Lights



Time-Delay OFF Feature



Grease Cup

Model	Colour	Ducting	Filters	Size	CFM
SC51424	Stainless Steel	6"	Mesh	24"	550
SC51430	Stainless Steel	6"	Mesh	30"	550
SC51436	Stainless Steel	6"	Mesh	36"	550
SCB51424	Stainless Steel	6"	Baffle	24"	550
SCB51430	Stainless Steel	6"	Baffle	30"	550
SCB51436	Stainless Steel	6"	Baffle	36"	550

Cyclone Range Hoods Inc.

1361 Huntingwood Drive, Unit 16. Toronto, ON. M1S 3J1. Canada.

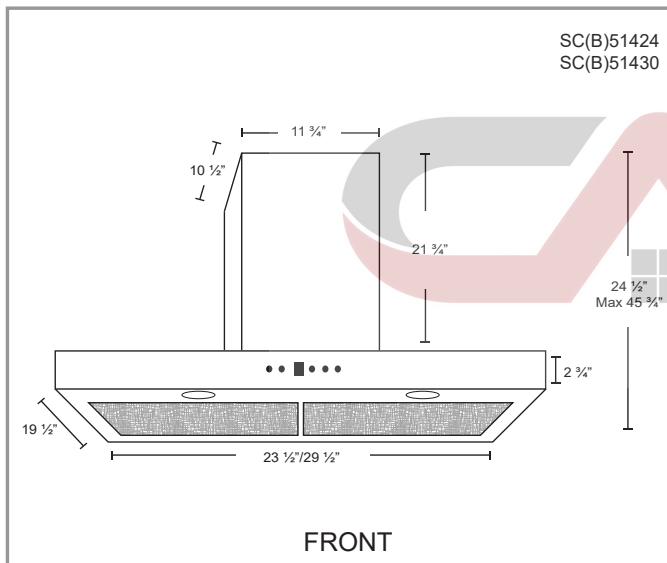
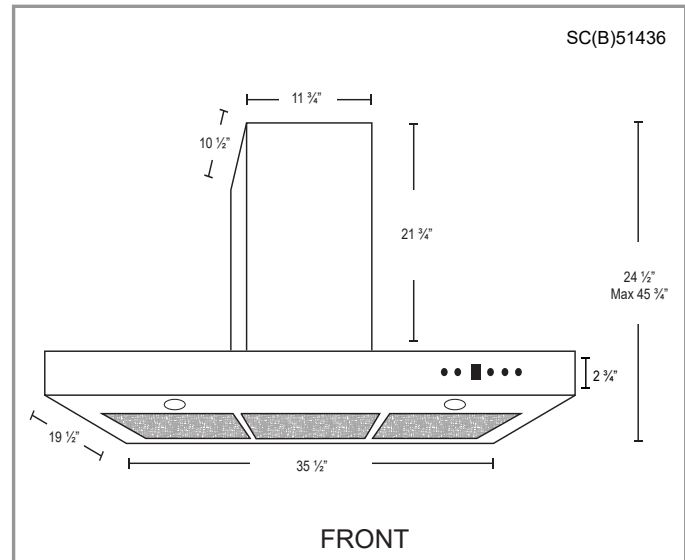
Toll Free: 1-888-293-5662 Tel: (416) 293-0933 Fax: (416) 293-4793 Website: www.CycloneRangeHoods.com

SC(B)514 | ALITO Collection

Cyclone[®]
Breathe Better

Features

- Wall mount range hood
- 6" round duct adapter
- Non-stick aluminum fan blades
- 3 speed push button control
- 2 LED lights (2 x 1.4W, 4000K)
- Quick release aluminum mesh filters
- Standard chimney fits up to 9 ft. ceiling
- Up to 9 minutes time-delay OFF feature
- Plug-in connection



Options

- **Filters:**
 - SC514 - Quick Release Aluminum Mesh Filters
 - SCB514 - Quick Release Stainless Steel Baffle Filters
- **Chimney Flues:**
 - B2.CH16 - short (7'-8' ceilings)
 - B2.CH22 - standard (8'-9' ceilings)
 - B2.CH32 - extended (9'-11' ceilings)
- **Widths:** 24", 30", 36"

Specifications

- | | | |
|--|--|--|
| <ul style="list-style-type: none">• Air Flow Volume: 550 CFM• Electrical Connection: 120 V/60 Hz• Power Consumption: 300 Watts | <ul style="list-style-type: none">• Current: 2.5 Amps• Fan Speed: 1599 RPM• Fan Type: Centrifugal Blower | <ul style="list-style-type: none">• Finishes: Stainless Steel• Ducting: 6" Round• Noise Level: Min. 2 Sones
Max. 6 Sones |
|--|--|--|



SC(B)519 | ALITO Collection



Wall Mount

Strong and sturdy with attractive lines and an imposing frame, the SC(B)519 is fitted with a time-delay OFF feature up to nine minutes, a 550 CFM fan, two bright front mounted LED lights and a digital three-speed push button control panel.

Green Features



3 Speed Push Button
Control Panel



Long-Lasting
LED Lights



Time-Delay
OFF Feature



Grease Cup



Model	Colour	Ducting	Filters	Size	CFM
SC51924	Stainless Steel	6"	Mesh	24"	550
SC51930	Stainless Steel	6"	Mesh	30"	550
SC51936	Stainless Steel	6"	Mesh	36"	550
SCB51924	Stainless Steel	6"	Baffle	24"	550
SCB51930	Stainless Steel	6"	Baffle	30"	550
SCB51936	Stainless Steel	6"	Baffle	36"	550

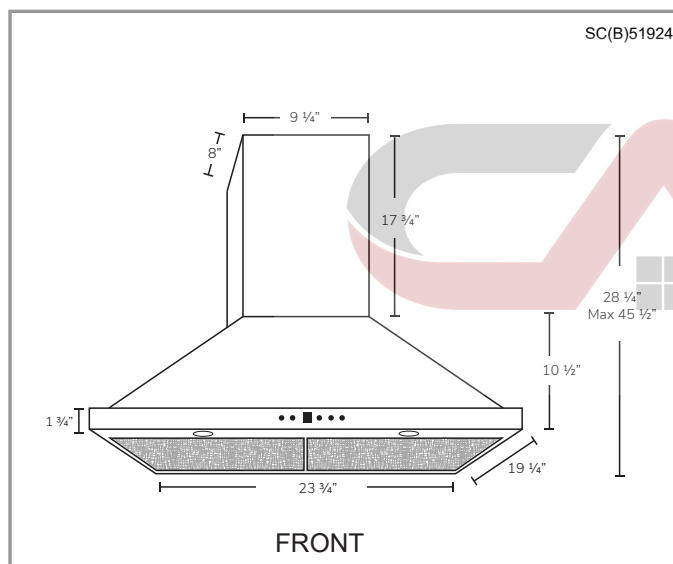
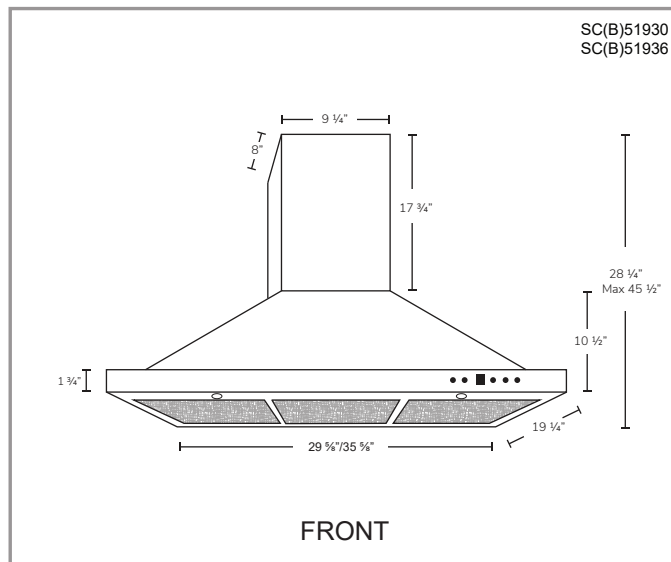
Cyclone Range Hoods Inc.

1361 Huntingwood Drive, Unit 16. Toronto, ON. M1S 3J1. Canada.

Toll Free: 1-888-293-5662 Tel: (416) 293-0933 Fax: (416) 293-4793 Website: www.CycloneRangeHoods.com

Features

- Wall mount range hood
- 6" round duct adapter
- Non-stick aluminum fan blades
- 3 speed push button control
- 2 LED lights (2 x 1.4W, 4000K)
- Quick release aluminum mesh filters
- Standard chimney fits up to 9 ft. ceiling
- Up to 9 minutes time-delay OFF feature
- Plug-in connection



Options

- **Filters:**
 - SC519 - Quick Release Aluminum Mesh Filters
 - SCB519 - Quick Release Stainless Steel Baffle Filters
- **Chimney Flues:**
 - A1.CH10 - short (7'-8' ceilings)
 - A1.CH18 - standard (8'-9' ceilings)
 - A1.CH30 - extended (9'-11' ceilings)
- **Widths:** 24", 30", 36"

Specifications

- Air Flow Volume: 550 CFM
- Electrical Connection: 120 V/60 Hz
- Power Consumption: 300 Watts

- Current: 2.5 Amps
- Fan Speed: 1599 RPM
- Fan Type: Centrifugal Blower

- Finishes: Stainless Steel
- Ducting: 6" Round
- Noise Level: Min. 2 Sones
Max. 6 Sones



SC(B)722 | PRO Collection



Wall Mount

Designed with an emphasis on the beauty of simplicity, the straightforward design of this model blends seamlessly with a modern kitchen environment. Features 650 CFM of drawing power, two LED lights at the front of the machine, and fitted with a time-delay OFF feature up to nine minutes.

Green Features



3 Speed Push Button Control Panel



Long-Lasting LED Lights



Time-Delay OFF Feature



Grease Cup



Model	Colour	Ducting	Filters	Size	CFM
SC72224	Stainless Steel	6"	Mesh	24"	650
SC72230	Stainless Steel	6"	Mesh	30"	650
SC72236	Stainless Steel	6"	Mesh	36"	650
SCB72224	Stainless Steel	6"	Baffle	24"	650
SCB72230	Stainless Steel	6"	Baffle	30"	650
SCB72236	Stainless Steel	6"	Baffle	36"	650

Cyclone Range Hoods Inc.

1361 Huntingwood Drive, Unit 16. Toronto, ON. M1S 3J1. Canada.

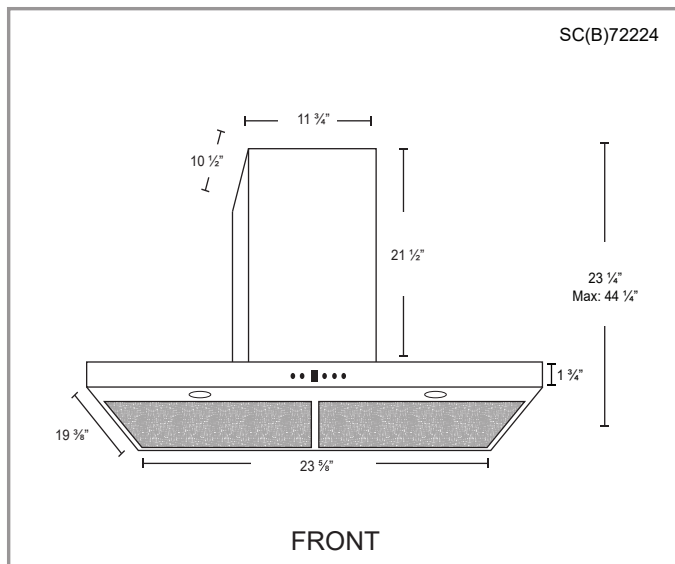
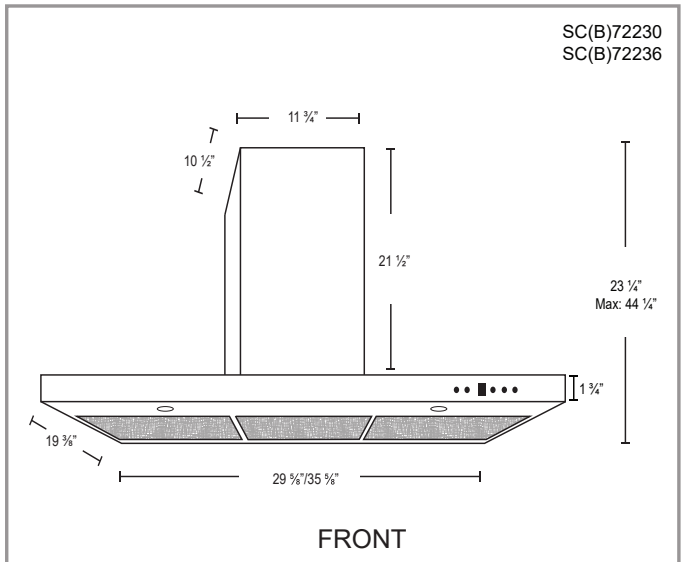
Toll Free: 1-888-293-5662 Tel: (416) 293-0933 Fax: (416) 293-4793 Website: www.CycloneRangeHoods.com

SC(B)722 | PRO Collection



Features

- Wall mount range hood
- 6" round duct adapter
- Non-stick aluminum fan blades
- 3 speed push button control
- 2 LED lights (2 x 1.4W, 4000K)
- Quick release aluminum mesh filters
- Standard chimney fits up to 9 ft. ceiling
- Up to 9 minutes time-delay OFF feature
- Plug-in connection



Options

- Filters:
 - SC722 - Quick Release Aluminum Mesh Filters
 - SCB722 - Quick Release Stainless Steel Baffle Filters
- Chimney Flues:
 - B2.CH16 - short (7'-8' ceilings)
 - B2.CH22 - standard (8'-9' ceilings)
 - B2.CH32 - extended (9'-11' ceilings)
- Widths: 24", 30", 36"

Specifications

- | | | |
|--|--|--|
| <ul style="list-style-type: none">▪ Air Flow Volume: 650 CFM▪ Electrical Connection: 120 V/60 Hz▪ Power Consumption: 300 Watts | <ul style="list-style-type: none">▪ Current: 2.5 Amps▪ Fan Speed: 1599 RPM▪ Fan Type: Centrifugal Blower | <ul style="list-style-type: none">▪ Finishes: Stainless Steel▪ Ducting: 6" Round▪ Noise Level: Min. 2 Sones
Max. 7 Sones |
|--|--|--|



SCB516 | ALITO Collection



Wall Mount

We've learned that sometimes the best way to anticipate the needs and desires of your market is to listen to the men and women who install your product. Inspired by popular model, we have designed an install-friendly hood that makes all the "what if's" of installation a non-issue. Keeping the pyramid shape, we expanded the chimney flue (duct cover) just wide enough to conceal off-centre ducting. Bringing our lights to the front of the hood provides greater ambiance in the most used cooking area and also avoids drawing attention towards any imperfections from the backsplash. The SCB516 has every kind of installer in mind.

Green Features



3 Speed Push Button
Control Panel



Long-Lasting
LED Lights



Grease Cup



Model	Colour	Ducting	Filters	Size	CFM
SCB51630SS	Stainless Steel	6"	Baffle	30"	550
SCB51636SS	Stainless Steel	6"	Baffle	36"	550
SCB51630MB	Matte Black	6"	Baffle	30"	550
SCB51636MB	Matte Black	6"	Baffle	36"	550

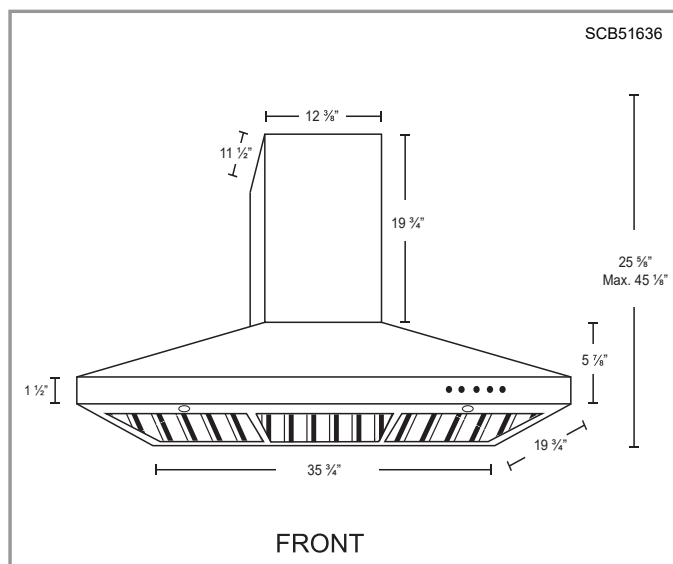
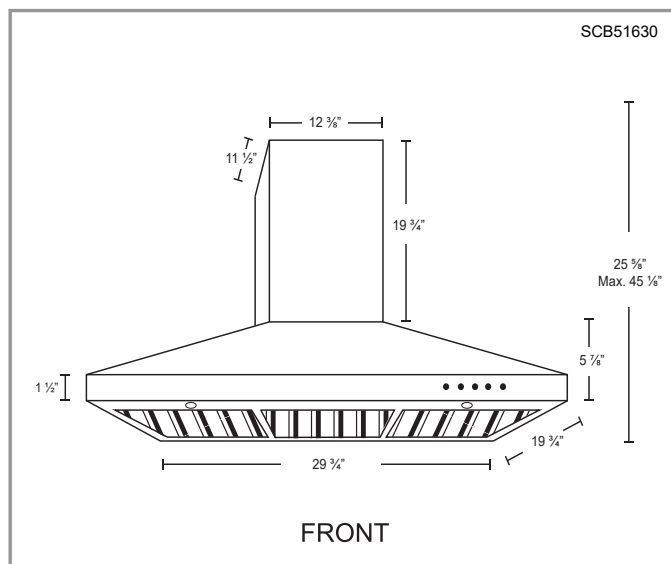
Cyclone Range Hoods Inc.

1361 Huntingwood Drive, Unit 16. Toronto, ON. M1S 3J1. Canada.

Toll Free: 1-888-293-5662 Tel: (416) 293-0933 Fax: (416) 293-4793 Website: www.CycloneRangeHoods.com

Features

- Wall mount range hood
- 6" round duct adapter
- Non-stick aluminum fan blades
- 3 speed push button control
- 2 LED lights (2 x 1.4W, 4000K)
- Quick release stainless steel baffle filters
- Standard chimney fits up to 9 ft. ceiling
- Plug-in connection



Options

- Finishes: Stainless Steel, Matte Black
- Chimney Flues:
 - B3.CH13 - short (7'-8' ceilings)
 - B3.CH20 - standard (8'-9' ceilings)
 - B3.CH32 - extended (9'-11' ceilings)
- Widths: 30", 36"

Specifications

- | | | |
|--------------------------------------|--------------------------------|---|
| ▪ Air Flow Volume: 550 CFM | ▪ Current: 2.5 Amps | ▪ Finishes: Stainless Steel, Matte Black |
| ▪ Electrical Connection: 120 V/60 Hz | ▪ Fan Speed: 1599 RPM | ▪ Ducting: 6" Round |
| ▪ Power Consumption: 300 Watts | ▪ Fan Type: Centrifugal Blower | ▪ Noise Level: Min. 2 Sones
Max. 6 Sones |



SCB711 | PRO Collection



Wall Mount

Bold and masculine by design, the SCB711 is a professional grade range hood. The three-speed push button control panel gives you complete control of the fan while bright LED lights illuminate the cooking area. Comes standard with strong and easily removable dishwasher-safe baffle filters to keep your kitchen clean and keep you breathing easy. Fitted with a time-delay OFF feature up to nine minutes.



Green Features



3 Speed
Push Button
Control Panel



Dishwasher Safe
Baffle Filters



Grease Tray



Long-Lasting
LED Lights



Time-Delay
OFF Feature



Grease Cup

Model	Colour	Ducting	Filters	Size	CFM
SCB71130	Stainless Steel	6"	Baffle	30"	650
SCB71136	Stainless Steel	6"	Baffle	36"	650

Cyclone Range Hoods Inc.

1361 Huntingwood Drive, Unit 16. Toronto, ON. M1S 3J1. Canada.

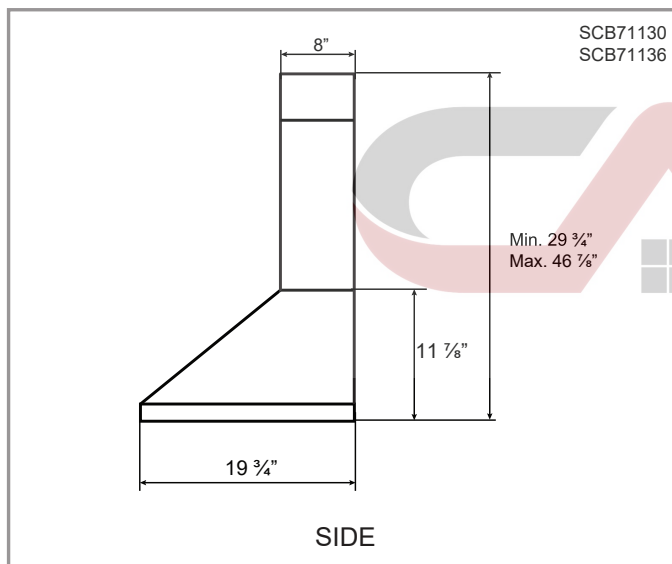
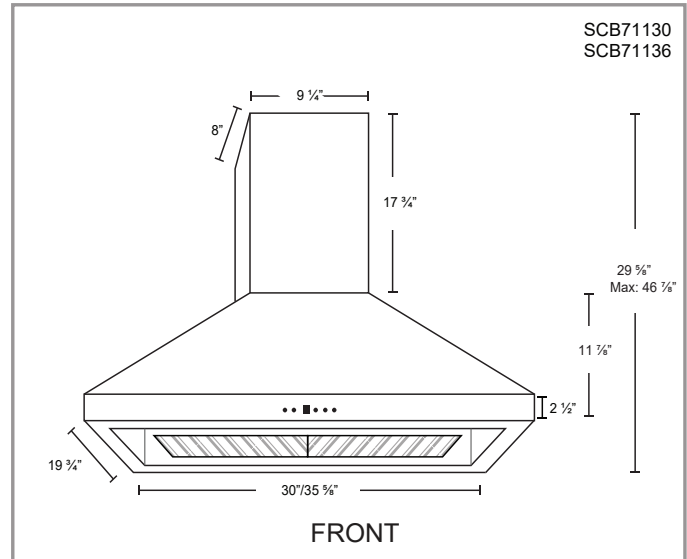
Toll Free: 1-888-293-5662 Tel: (416) 293-0933 Fax: (416) 293-4793 Website: www.CycloneRangeHoods.com

SCB711 | PRO Collection



Features

- Wall mount range hood
- 6" round duct adapter
- Non-stick aluminum fan blades
- 3 speed push button control
- 2 LED lights (2 x 1.4W, 4000K)
- Quick release dishwasher-safe baffle filters
- Standard chimney fits up to 9 ft. ceiling
- Up to 9 minutes time-delay OFF feature
- Plug-in connection



Options

- Chimney Flues:
 - A1.CH10 - short (7'-8' ceilings)
 - A1.CH18 - standard (8'-9' ceilings)
 - A1.CH30 - extended (9'-11' ceilings)
- Widths: 30", 36"

Specifications

- Air Flow Volume: 650 CFM
- Electrical Connection: 120 V/60 Hz
- Power Consumption: 300 Watts
- Current: 2.5 Amps
- Fan Speed: 1599 RPM
- Fan Type: Centrifugal Blower
- Finishes: Stainless Steel
- Ducting: 6" Round
- Noise Level: Min. 2 Sones
Max. 7 Sones



SCB715 | PRO Collection



Wall Mount

Available in both 30" and 36" wide frames, the SCB715 conveys a sense of power and strength. Designed to look and function like a smaller scale industrial strength exhaust fan, this machine will certainly get rid of unwanted odours, grease and smoke even with high-heat cooking. Features three fan speeds, front LED lights and is fitted with a time-delay OFF feature up to nine minutes.

Green Features



3 Speed
Push Button
Control Panel



Dishwasher Safe
Baffle Filters



Long-Lasting
LED Lights



Time-Delay
OFF Feature



Grease Cup



Model	Colour	Ducting	Filters	Size	CFM
SCB71530	Stainless Steel	6"	Baffle	30"	650
SCB71536	Stainless Steel	6"	Baffle	36"	650

Cyclone Range Hoods Inc.

1361 Huntingwood Drive, Unit 16. Toronto, ON. M1S 3J1. Canada.

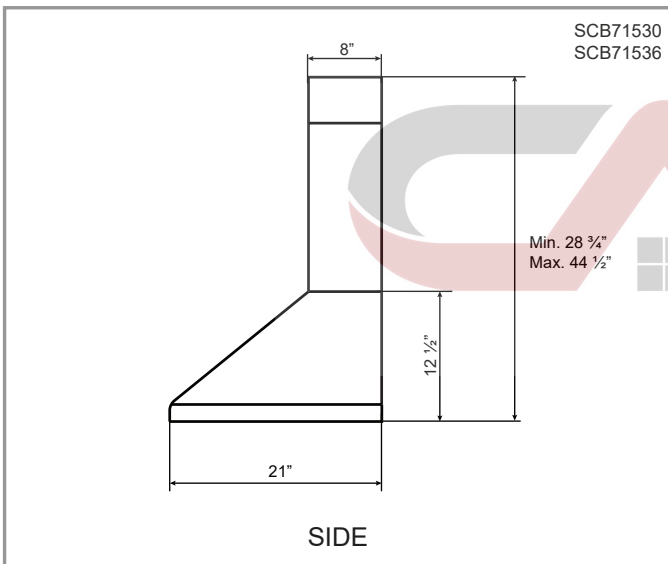
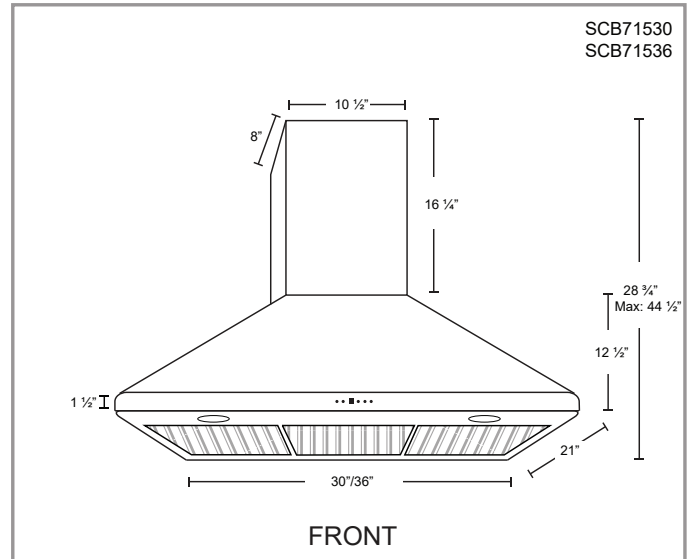
Toll Free: 1-888-293-5662 Tel: (416) 293-0933 Fax: (416) 293-4793 Website: www.CycloneRangeHoods.com

SCB715 | PRO Collection

Cyclone[®]
Breathe Better

Features

- Wall mount range hood
- 6" round duct adapter
- Non-stick aluminum fan blades
- 3 speed push button control
- 2 LED lights (2 x 1.4W, 4000K)
- Quick release dishwasher-safe baffle filters
- Standard chimney fits up to 9 ft. ceiling
- Up to 9 minutes time-delay OFF feature
- Plug-in connection



Options

- Available Chimney Flues:
 - A2.CH10 - Short (7'-8' ceilings)
 - A2.CH16 - Standard (8'-9' ceilings)
 - A2.CH30 - Extended (9'-11' ceilings)
- Widths: 30", 36"

Specifications

- Air Flow Volume: 650 CFM
- Electrical Connection: 120 V/60 Hz
- Power Consumption: 300 Watts
- Current: 2.5 Amps
- Fan Speed: 1599 RPM
- Fan Type: Centrifugal Blower
- Finishes: Stainless Steel
- Ducting: 6" Round
- Noise Level: Min. 2 Sones
Max. 7 Sones



SIB323 | ALITO Collection



Island Hood

Strong and incredibly quiet, the SIB323 makes a powerful statement in any kitchen. It features mesh or baffle filters, four bright LED lights for optimal lighting and a highly efficient motor. The bold design and strong stainless steel frame encasing the fan will make this machine the focus of your kitchen. Fitted with a time-delay OFF feature up to nine minutes.



Green Features



3 Speed Push Button
Control Panel



Long-Lasting
LED Lights



Time-Delay
OFF Feature

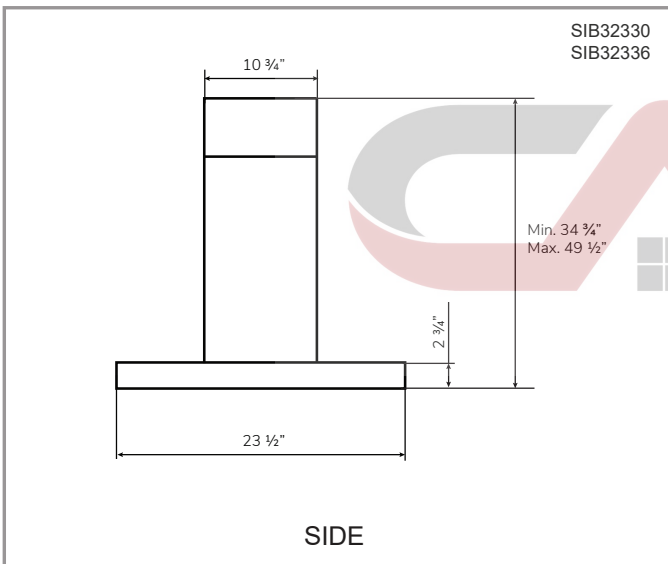
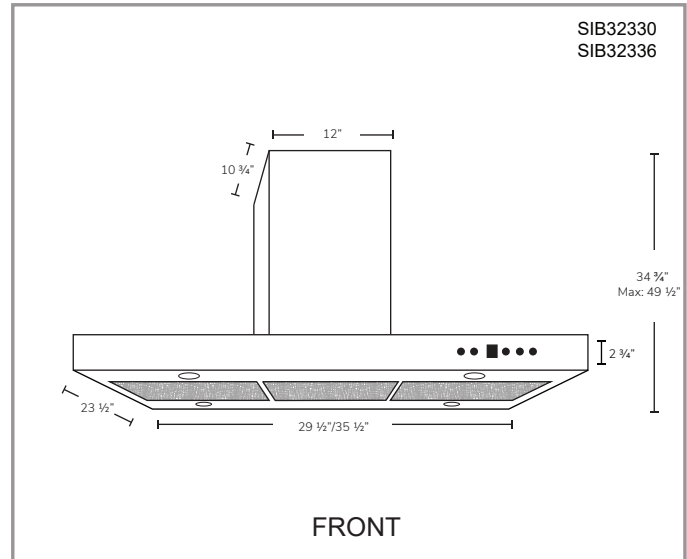


Grease Cup

Model	Colour	Ducting	Filters	Size	CFM
SIB32330	Stainless Steel	6"	Baffle	30"	300
SIB32336	Stainless Steel	6"	Baffle	36"	300

Features

- Island range hood
- 6" round duct adapter
- Non-stick aluminum fan blades
- 3 speed push button control
- 4 LED lights (4 x 1.4W, 4000K)
- Quick release stainless steel baffle filters
- Standard chimney fits up to 9 ft. ceiling
- Up to 9 minutes time-delay OFF feature
- Plug-in connection



Options

- Filters:
 - SIB323 - Quick Release Stainless Steel Baffle Filters
- Chimney Flues:
 - IS1.CH16 - short (7'-8' ceilings)
 - IS1.CH24 - standard (8'-9' ceilings)
 - IS1.CH32 - extended (9'-11' ceilings)
- Widths: 30", 36"

Specifications

- | | | |
|--|--|--|
| <ul style="list-style-type: none"> ▪ Air Flow Volume: 300 CFM ▪ Electrical Connection: 120 V/60 Hz ▪ Power Consumption: 300 Watts | <ul style="list-style-type: none"> ▪ Current: 2.5 Amps ▪ Fan Speed: 1350 RPM ▪ Fan Type: Centrifugal Blower | <ul style="list-style-type: none"> ▪ Finishes: Stainless Steel ▪ Ducting: 6" Round ▪ Noise Level: Min. 2 Sones
Max. 4 Sones |
|--|--|--|



SIB520 | ALITO Collection



Island Hood

A powerful, high performance machine, the SIB520 conveys to guests that the chef in this household knows their stuff and is doing some serious cooking. Simple and straightforward in design with four baffle filters in opposing corners, two bright LED lights for optimal lighting and a strong sturdy stainless steel frame. The fan removes odour and contaminants from the cooking area with amazingly little sound. Fitted with a time-delay OFF feature up to nine minutes.



Green Features



3 Speed Push Button
Control Panel



Long-Lasting
LED Lights



Time-Delay
OFF Feature



Grease Cup

Model	Colour	Ducting	Filters	Size	CFM
SIB52036	Stainless Steel	6"	Baffle	36"	600

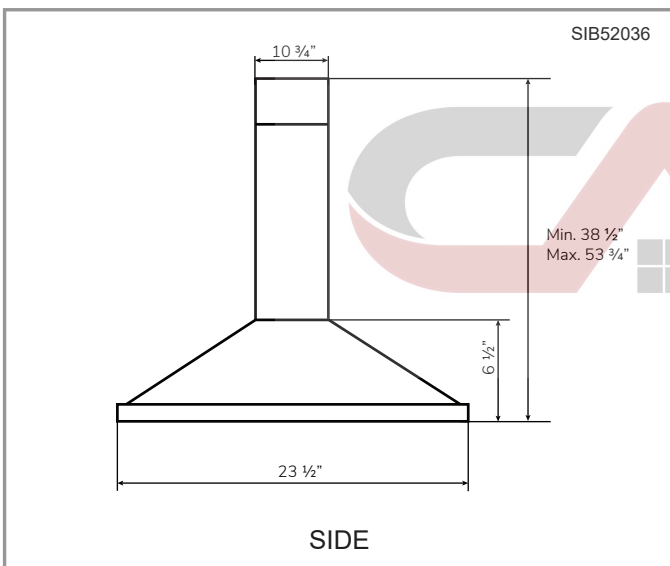
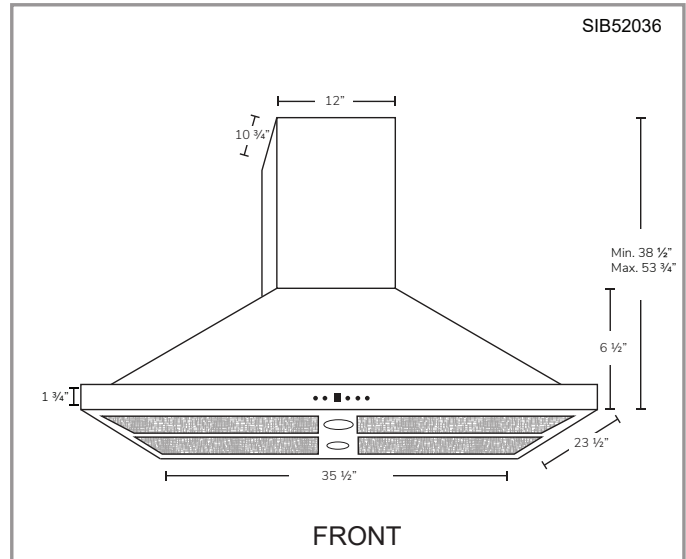
Cyclone Range Hoods Inc.

1361 Huntingwood Drive, Unit 16. Toronto, ON. M1S 3J1. Canada.

Toll Free: 1-888-293-5662 Tel: (416) 293-0933 Fax: (416) 293-4793 Website: www.CycloneRangeHoods.com

Features

- Island range hood
- 6" round duct adapter
- Non-stick aluminum fan blades
- 3 speed push button control
- 2 LED lights (2 x 1.4W, 4000K)
- Quick release stainless steel baffle filters
- Standard chimney fits up to 9 ft. ceiling
- Up to 9 minutes time-delay OFF feature
- Plug-in connection



Options

- Filters:
SIB520 - Quick Release Stainless Steel Baffle Filters
- Chimney Flues:
IS1.CH16 - short (7'-8' ceilings)
IS1.CH24 - standard (8'-9' ceilings)
IS1.CH32 - extended (9'-11' ceilings)

Specifications

- | | | |
|--|--|--|
| <ul style="list-style-type: none"> ▪ Air Flow Volume: 600 CFM ▪ Electrical Connection: 120 V/60 Hz ▪ Power Consumption: 300 Watts | <ul style="list-style-type: none"> ▪ Current: 2.5 Amps ▪ Fan Speed: 1599 RPM ▪ Fan Type: Centrifugal Blower | <ul style="list-style-type: none"> ▪ Finishes: Stainless Steel ▪ Ducting: 6" Round ▪ Noise Level: Min. 2 Sones
Max. 6 Sones |
|--|--|--|



SIB521 | ALITO Collection



Island Hood

A very attractive exhaust fan, the SIB521 is the perfect balance of substance and style. The arched glass canopy frames a classic design giving it a modern appeal. The hood features a three-speed digital control panel, button controlled LED lights, two baffle filter screens, and a quiet, efficient motor. Fitted with a time-delay OFF feature up to nine minutes.



Green Features



3 Speed Push Button Control Panel



Long-Lasting LED Lights



Time-Delay OFF Feature



Grease Cup

Model	Colour	Ducting	Filters	Size	CFM
SIB52136	Stainless Steel	6"	Baffle	36"	600

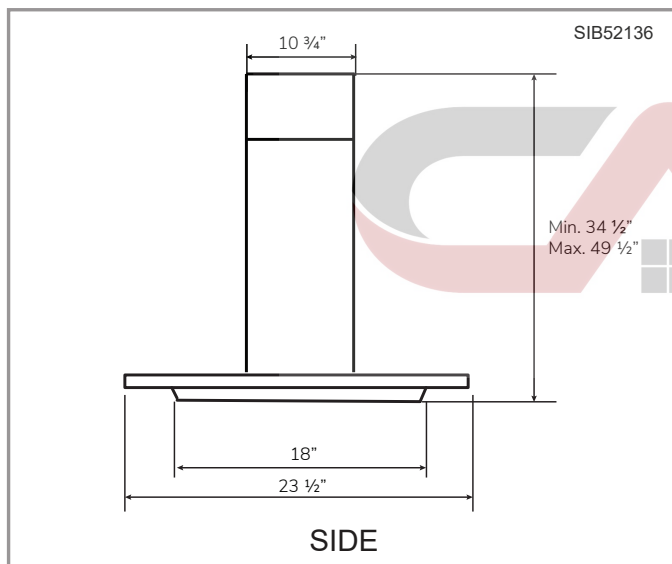
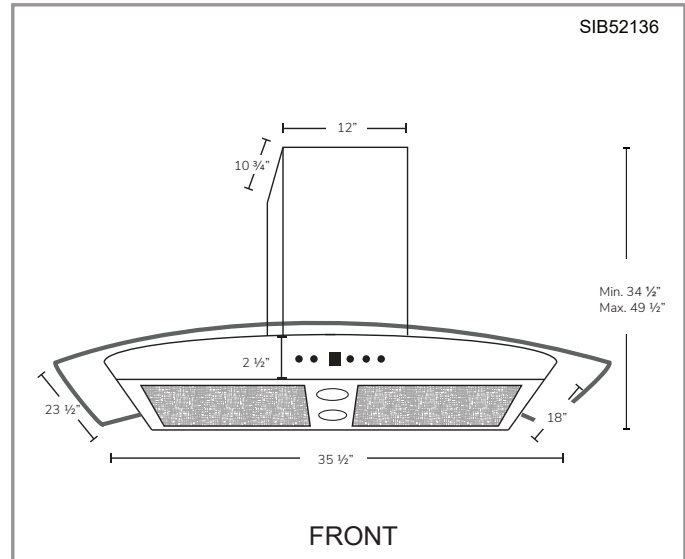
Cyclone Range Hoods Inc.

1361 Huntingwood Drive, Unit 16. Toronto, ON. M1S 3J1. Canada.

Toll Free: 1-888-293-5662 Tel: (416) 293-0933 Fax: (416) 293-4793 Website: www.CycloneRangeHoods.com

Features

- Island range hood
- 6" round duct adapter
- Non-stick aluminum fan blades
- 3 speed push button control
- 2 LED lights (2 x 1.4W, 4000K)
- Quick release stainless steel baffle filters
- Standard chimney fits up to 9 ft. ceiling
- Up to 9 minutes time-delay OFF feature
- Plug-in connection



Options

- Filters:
SIB521 - Quick Release Stainless Steel Baffle Filters
- Chimney Flues:
IS2.CH16 - short (7'-8' ceilings)
IS2.CH24 - standard (8'-9' ceilings)
IS2.CH32 - extended (9'-11' ceilings)

Specifications

- | | | |
|--|--|--|
| <ul style="list-style-type: none"> ▪ Air Flow Volume: 600 CFM ▪ Electrical Connection: 120 V/60 Hz ▪ Power Consumption: 300 Watts | <ul style="list-style-type: none"> ▪ Current: 2.5 Amps ▪ Fan Speed: 1599 RPM ▪ Fan Type: Centrifugal Blower | <ul style="list-style-type: none"> ▪ Finishes: Stainless Steel ▪ Ducting: 6" Round ▪ Noise Level: Min. 2 Sones
Max. 6 Sones |
|--|--|--|

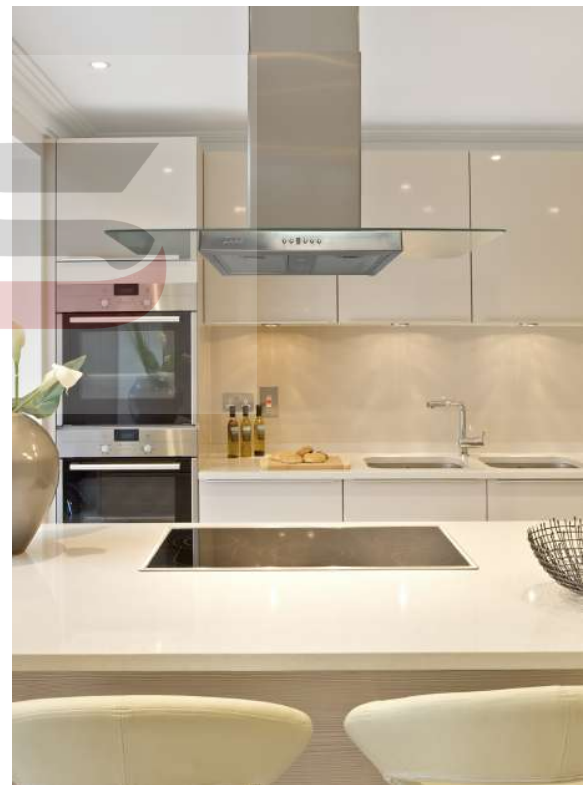


SIB522 | ALITO Collection



Island Hood

The SIB522 embodies the qualities and characteristics that distinguish Cyclone from the competition. This handsome, tasteful hood is a wonderful compliment to modern, upscale home decor. Features button controlled LED lights and a three-speed control panel. An attractive glass canopy broadly frames the filters and blocks smoke and grease from staining the vent shaft. Quiet and powerful, the fan draws air out of your kitchen with minimal sound. Fitted with a time-delay OFF feature up to nine minutes.



Green Features



3 Speed Push Button Control Panel



Long-Lasting LED Lights



Time-Delay OFF Feature



Grease Cup

Model	Colour	Ducting	Filters	Size	CFM
SIB52136	Stainless Steel	6"	Baffle	36"	600

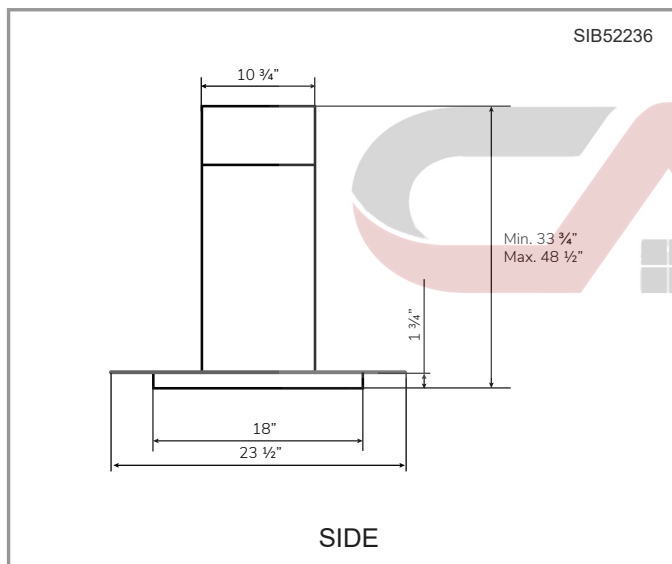
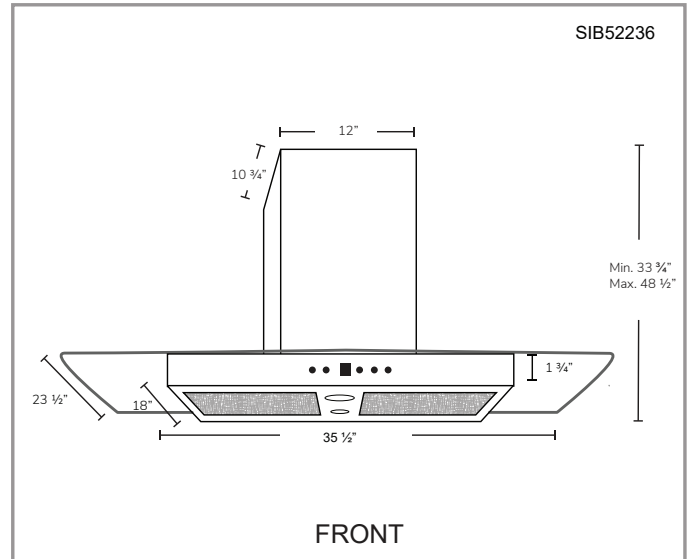
Cyclone Range Hoods Inc.

1361 Huntingwood Drive, Unit 16. Toronto, ON. M1S 3J1. Canada.

Toll Free: 1-888-293-5662 Tel: (416) 293-0933 Fax: (416) 293-4793 Website: www.CycloneRangeHoods.com

Features

- Island range hood
- 6" round duct adapter
- Non-stick aluminum fan blades
- 3 speed push button control
- 2 LED lights (2 x 1.4W, 4000K)
- Quick release stainless steel baffle filters
- Standard chimney fits up to 9 ft. ceiling
- Up to 9 minutes time-delay OFF feature
- Plug-in connection



Options

- **Filters:**
SIB522 - Quick Release Stainless Steel Baffle Filters
- **Chimney Flues:**
IS2.CH16 - short (7'-8' ceilings)
IS2.CH24 - standard (8'-9' ceilings)
IS2.CH32 - extended (9'-11' ceilings)

Specifications

- | | | |
|--|--|--|
| <ul style="list-style-type: none"> • Air Flow Volume: 600 CFM • Electrical Connection: 120 V/60 Hz • Power Consumption: 300 Watts | <ul style="list-style-type: none"> • Current: 3.0 Amps • Fan Speed: 1599 RPM • Fan Type: Centrifugal Blower | <ul style="list-style-type: none"> • Finishes: Stainless Steel • Ducting: 6" Round • Noise Level: Min. 2 Sones
Max. 6 Sones |
|--|--|--|

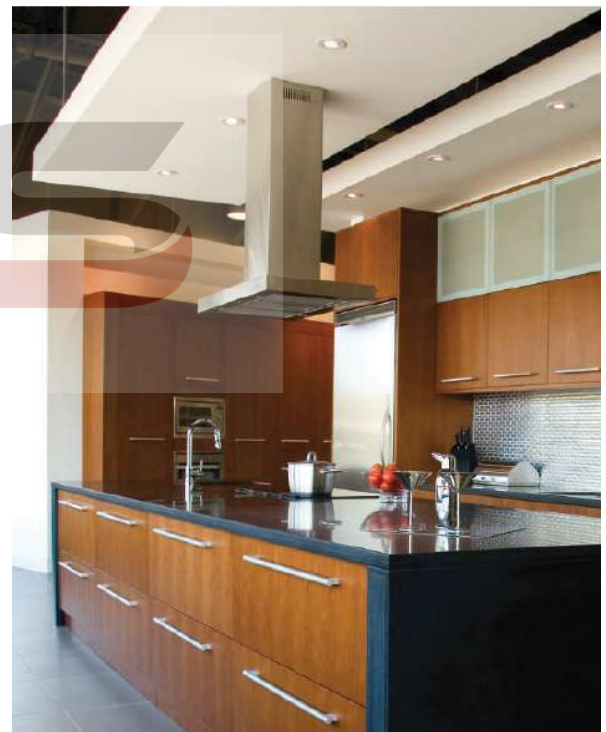


SIB523 | ALITO Collection



Island Hood

Strong and incredibly quiet, the SIB523 makes a powerful statement in any kitchen. It features mesh or baffle filters, four bright LED lights for optimal lighting and a highly efficient motor. The bold design and strong stainless steel frame encasing the fan will make this machine the focus of your kitchen. Fitted with a time-delay OFF feature up to nine minutes.



Green Features



3 Speed Push Button Control Panel



Long-Lasting LED Lights



Time-Delay OFF Feature



Grease Cup

Model	Colour	Ducting	Filters	Size	CFM
SIB52330	Stainless Steel	6"	Baffle	30"	600
SIB52336	Stainless Steel	6"	Baffle	36"	600

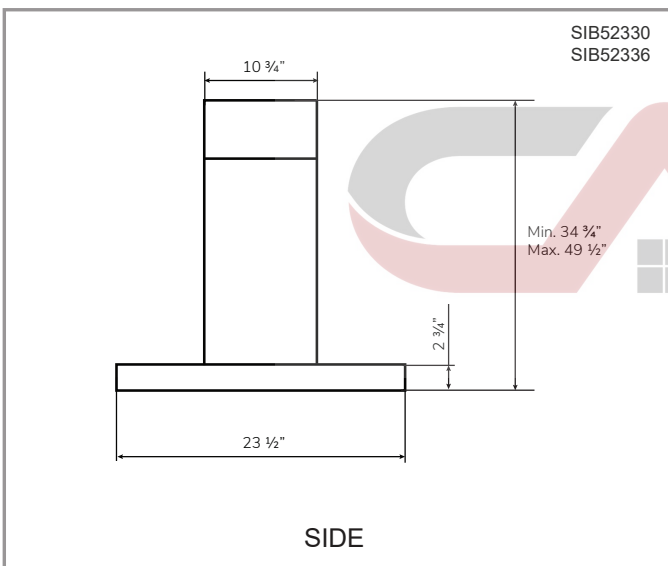
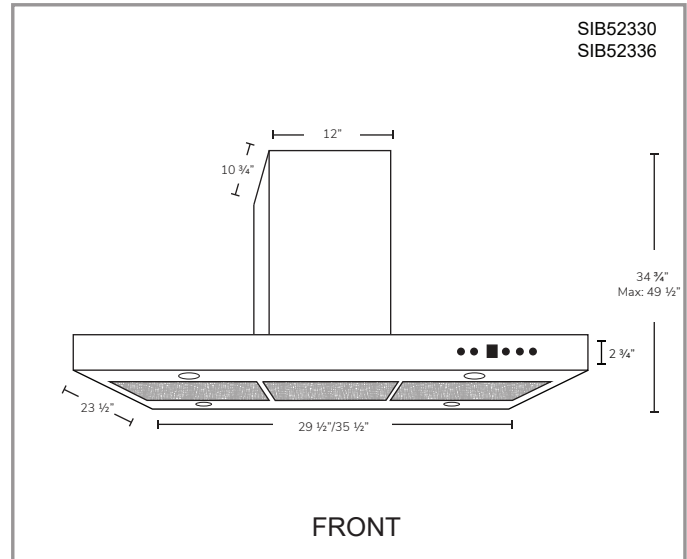
Cyclone Range Hoods Inc.

1361 Huntingwood Drive, Unit 16. Toronto, ON. M1S 3J1. Canada.

Toll Free: 1-888-293-5662 Tel: (416) 293-0933 Fax: (416) 293-4793 Website: www.CycloneRangeHoods.com

Features

- Island range hood
- 6" round duct adapter
- Non-stick aluminum fan blades
- 3 speed push button control
- 4 LED lights (4 x 1.4W, 4000K)
- Quick release stainless steel baffle filters
- Standard chimney fits up to 9 ft. ceiling
- Up to 9 minutes time-delay OFF feature
- Plug-in connection



Options

- Filters:
SIB523 - Quick Release Stainless Steel Baffle Filters
- Chimney Flues:
IS1.CH16 - short (7'-8' ceilings)
IS1.CH24 - standard (8'-9' ceilings)
IS1.CH32 - extended (9'-11' ceilings)
- Widths: 30", 36"

Specifications

- | | | |
|--|--|--|
| <ul style="list-style-type: none"> ▪ Air Flow Volume: 600 CFM ▪ Electrical Connection: 120 V/60 Hz ▪ Power Consumption: 300 Watts | <ul style="list-style-type: none"> ▪ Current: 2.5 Amps ▪ Fan Speed: 1599 RPM ▪ Fan Type: Centrifugal Blower | <ul style="list-style-type: none"> ▪ Finishes: Stainless Steel ▪ Ducting: 6" Round ▪ Noise Level: Min. 2 Sones
Max. 6 Sones |
|--|--|--|



SIB531 | ALITO Collection



Island Hood

The SIB531 features four filters in opposing corners, two bright LED lights, and a straight edge stainless steel frame. The powerful motor removes grease from the air while staying incredibly quiet. This is a quality fan for cooks who demand performance in the kitchen. Fitted with a time-delay OFF feature up to nine minutes.



Green Features



3 Speed Push Button Control Panel



Long-Lasting LED Lights



Time-Delay OFF Feature



Grease Cup

Model	Colour	Ducting	Filters	Size	CFM
SIB53136	Stainless Steel	6"	Baffle	36"	600

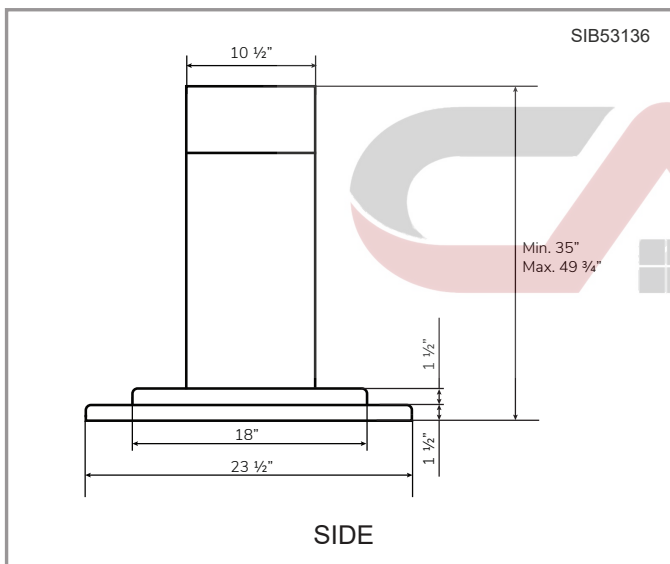
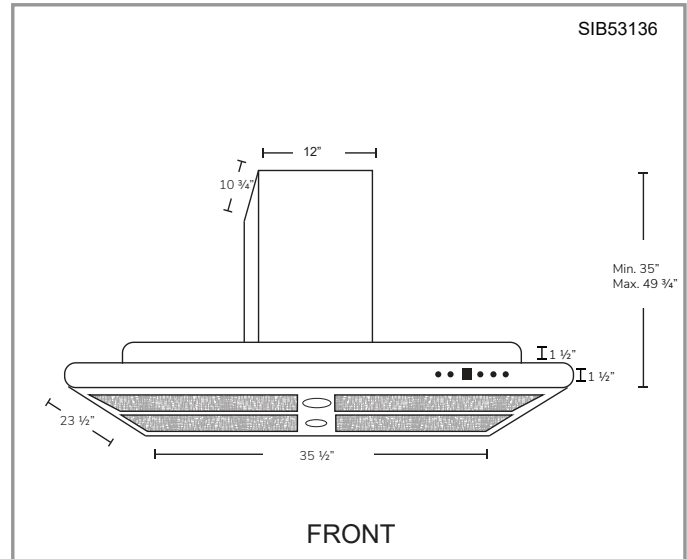
Cyclone Range Hoods Inc.

1361 Huntingwood Drive, Unit 16. Toronto, ON. M1S 3J1. Canada.

Toll Free: 1-888-293-5662 Tel: (416) 293-0933 Fax: (416) 293-4793 Website: www.CycloneRangeHoods.com

Features

- Island range hood
- 6" round duct adapter
- Non-stick aluminum fan blades
- 3 speed push button control
- 2 LED lights (2 x 1.4W, 4000K)
- Quick release stainless steel baffle filters
- Standard chimney fits up to 9 ft. ceiling
- Up to 9 minutes time-delay OFF feature
- Plug-in connection



Options

- Filters:
 - SIB531 - Quick Release Stainless Steel Baffle Filters
- Chimney Flues:
 - IS1.CH16 - short (7'-8' ceilings)
 - IS1.CH24 - standard (8'-9' ceilings)
 - IS1.CH32 - extended (9'-11' ceilings)

Specifications

- | | | |
|--|--|--|
| <ul style="list-style-type: none"> ▪ Air Flow Volume: 600 CFM ▪ Electrical Connection: 120 V/60 Hz ▪ Power Consumption: 240 Watts | <ul style="list-style-type: none"> ▪ Current: 2.0 Amps ▪ Fan Speed: 1599 RPM ▪ Fan Type: Centrifugal Blower | <ul style="list-style-type: none"> ▪ Finishes: Stainless Steel ▪ Ducting: 6" Round ▪ Noise Level: Min. 2 Sones
Max. 6 Sones |
|--|--|--|



SS130 | CLASSIC Collection



Insert

Cyclone is proud to introduce its first ever slide out model. The SS130 features a second filter that can slide outwards towards the user creating a larger filter surface area to capture more grease, moisture and odour. The second filter can be kept closed while the machine is off to create a seamless look against the cabinets. Features two bright LED lights optimally spaced for ideal illumination and a powerful 300 CFM motor.

Green Features



3 Speed Slide
Control Panel



Grease Cup



Long-Lasting
LED Lights



Model	Colour	Ducting	Filters	Size	CFM	Fits Cabinet
SS13024	Stainless Steel	6"	Mesh	24"	300	24"
SS13030	Stainless Steel	6"	Mesh	30"	300	30"
SS13036	Stainless Steel	6"	Mesh	36"	300	36"

Cyclone Range Hoods Inc.

1361 Huntingwood Drive, Unit 16. Toronto, ON. M1S 3J1. Canada.

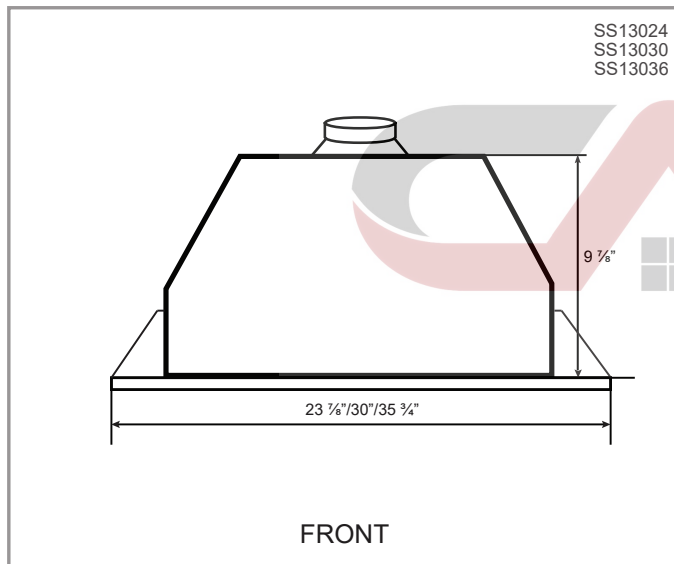
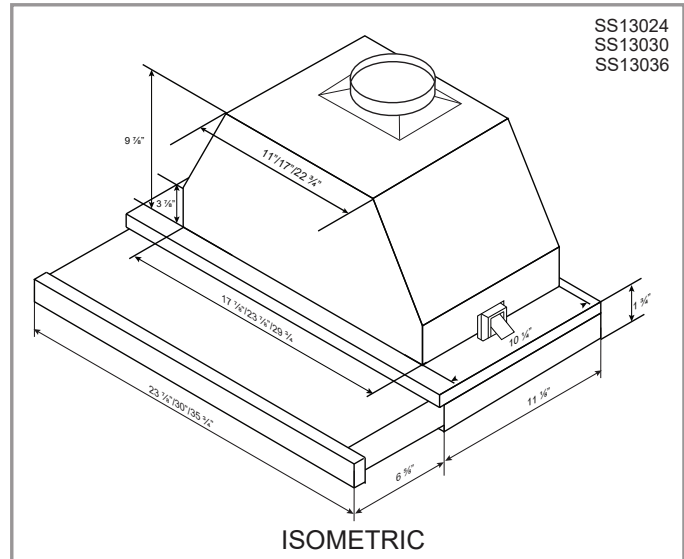
Toll Free: 1-888-293-5662 Tel: (416) 293-0933 Fax: (416) 293-4793 Website: www.CycloneRangeHoods.com

SS130 | CLASSIC Collection

Cyclone[®]
Breathe Better

Features

- Insert range hood
- 6" round duct adapter
- Non-stick aluminum fan blades
- 3 speed slide control
- Quick release aluminum mesh filters
- 2 LED lights (2 x 1.4W, 4000K)
- Plug-in connection



Options

- Widths: 24", 30", 36"

Note: 36" is special order

Specifications

- Air Flow Volume: 300 CFM
- Electrical Connection: 120 V/60 Hz
- Power Consumption: 240 Watts
- Current: 2.0 Amps
- Fan Speed: 1350 RPM
- Fan Type: Centrifugal Blower
- Finishes: Stainless Steel
- Ducting: 6" Round
- Noise Level: Min. 2 Sones
Max. 4 Sones

